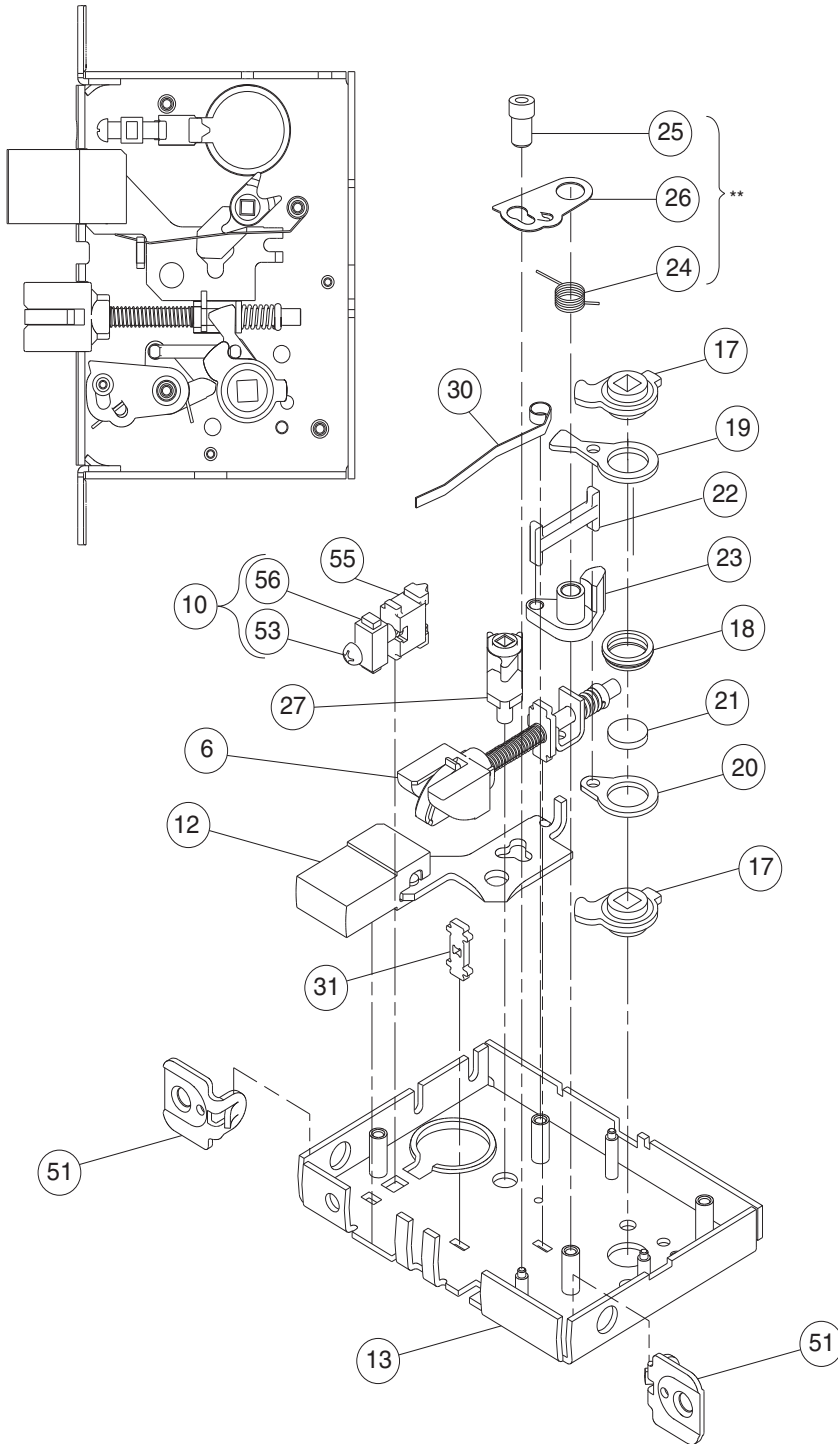


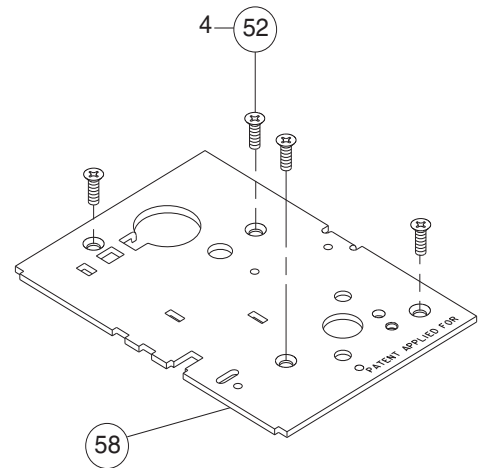
Lock Case Assemblies

L9465, L9466, L9473

Assembled Lock Case L283-140



Number	Description	Part Number
6	Latchbolt	L283-008
10	Cylinder Plate & Screw	L283-055
12	Deadbolt	L583-075
13	L9000 Lock Case	L283-112
17	Retractor Hub	L583-019
18	Hub Spacer	L583-020
19	Retractor Lever	L583-021
20	Retractor Rocker	L583-022
21	Blocking Plate	L583-023
22	Retractor Link	L583-024
23	Retractor Crank	L583-025
24	Hub Spring	L583-026
25	Fire Door Fuse	L583-027
26	Fire Door Catch	L583-028
27	Turn Hub	L583-029
30	Turn Hub Spring	L583-035
31	Auxiliary Bar Guide	L583-038
51	1 1/4" Faceplate Tab	L583-426
52	Case Cover Screws	L583-454
53	Cylinder Retainer Screw	L583-481
55	Cylinder Retainer	L583-490
56	Screw Plate	L583-492
58	Lock Case Cover	L583-496



** Please see "Assembly of Lock Case Parts" on page 87.

NOTE: Lock case assembly shown for LH and LHR doors.