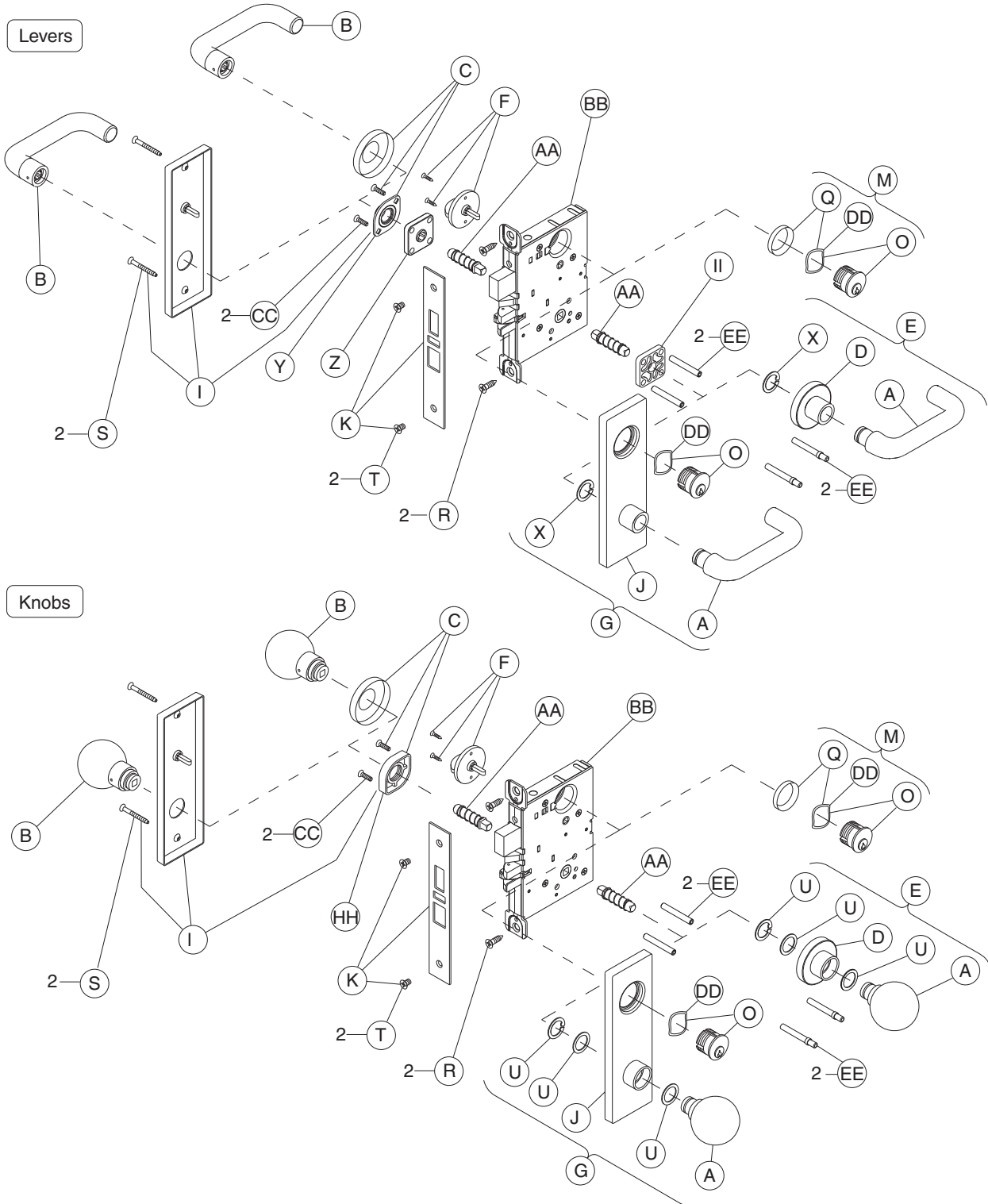


# Trim Assemblies

Fixed Outside x Turn Trim: L9460 x XL11-886, L9480, LV9480, L9485, LV9485



**NOTES:** L9460 x XL11-886 lock function has a deadbolt only. Lock case and armor front shown with latch, auxiliary latch, and deadbolt. Standard full face mortise cylinder shown.