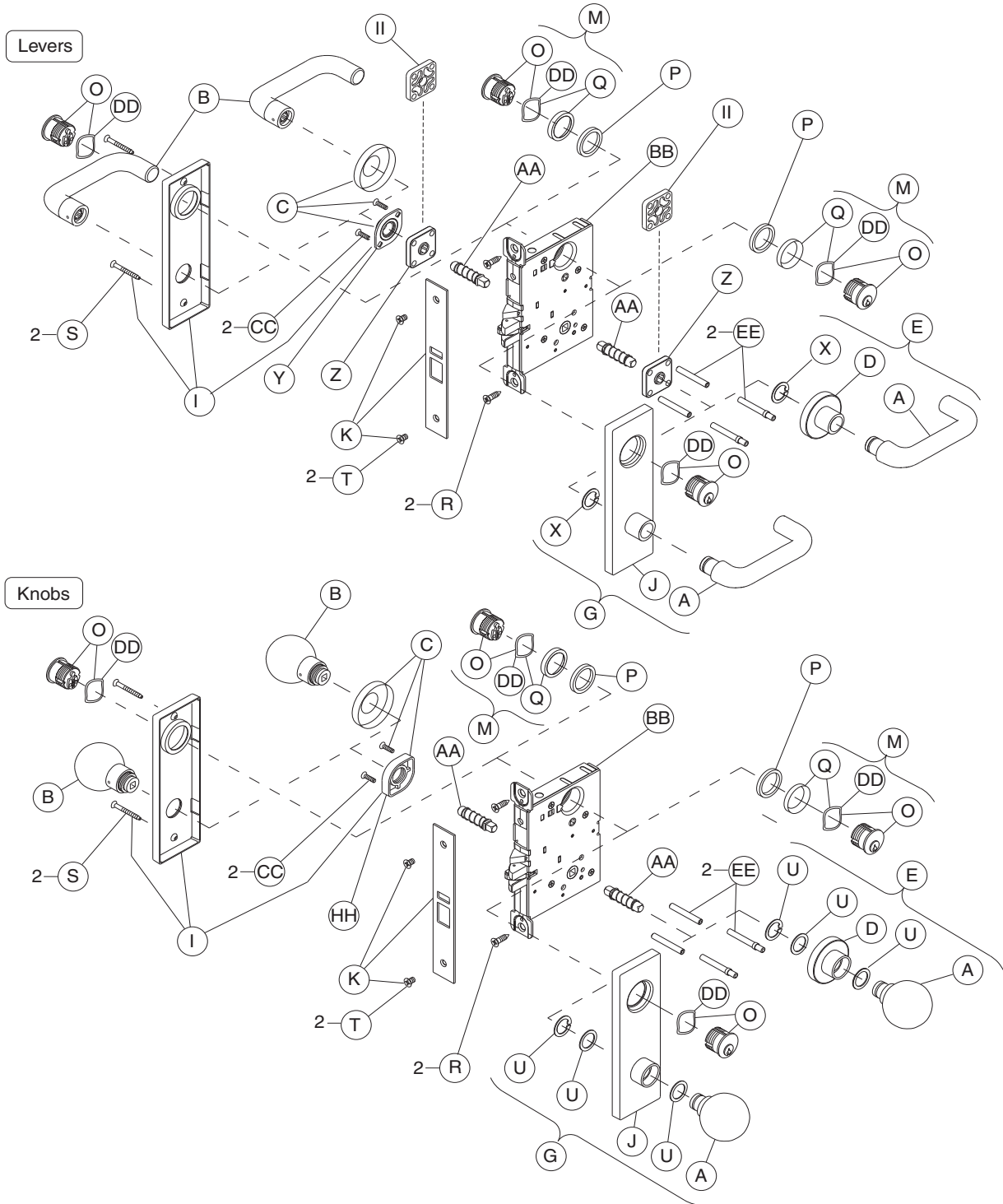


Trim Assemblies

Double Cylinder Trim: L9060, LV9060, L9071, LV9071, L9077, LV9077, L9082, LV9082, L9457, LV9457, L9462 x XL11-886, L9466

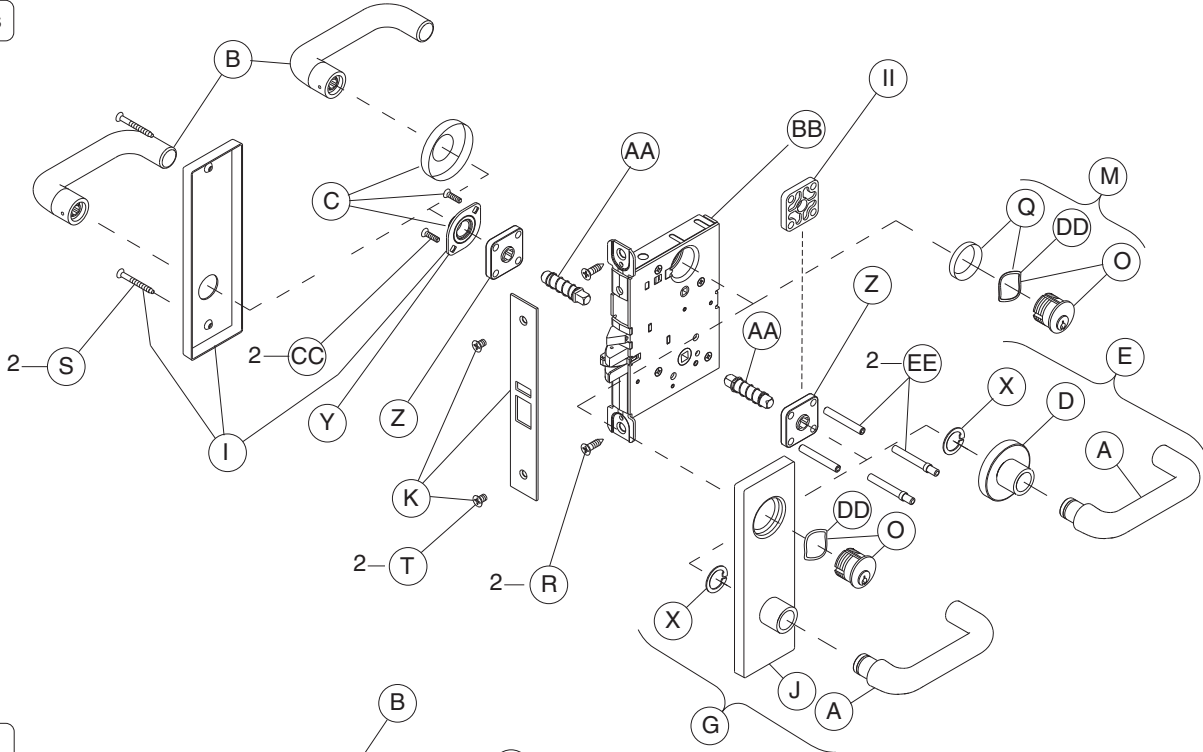


NOTE: L9457, LV9457, and L9466 lock functions have a latch and deadbolt. Lock case and armor front shown with latch and auxiliary latch.
 L9462 x XL11-886 lock function has deadbolt only. Lock case and armor front shown with latch & auxiliary latch.
 Standard full face mortise cylinder shown.

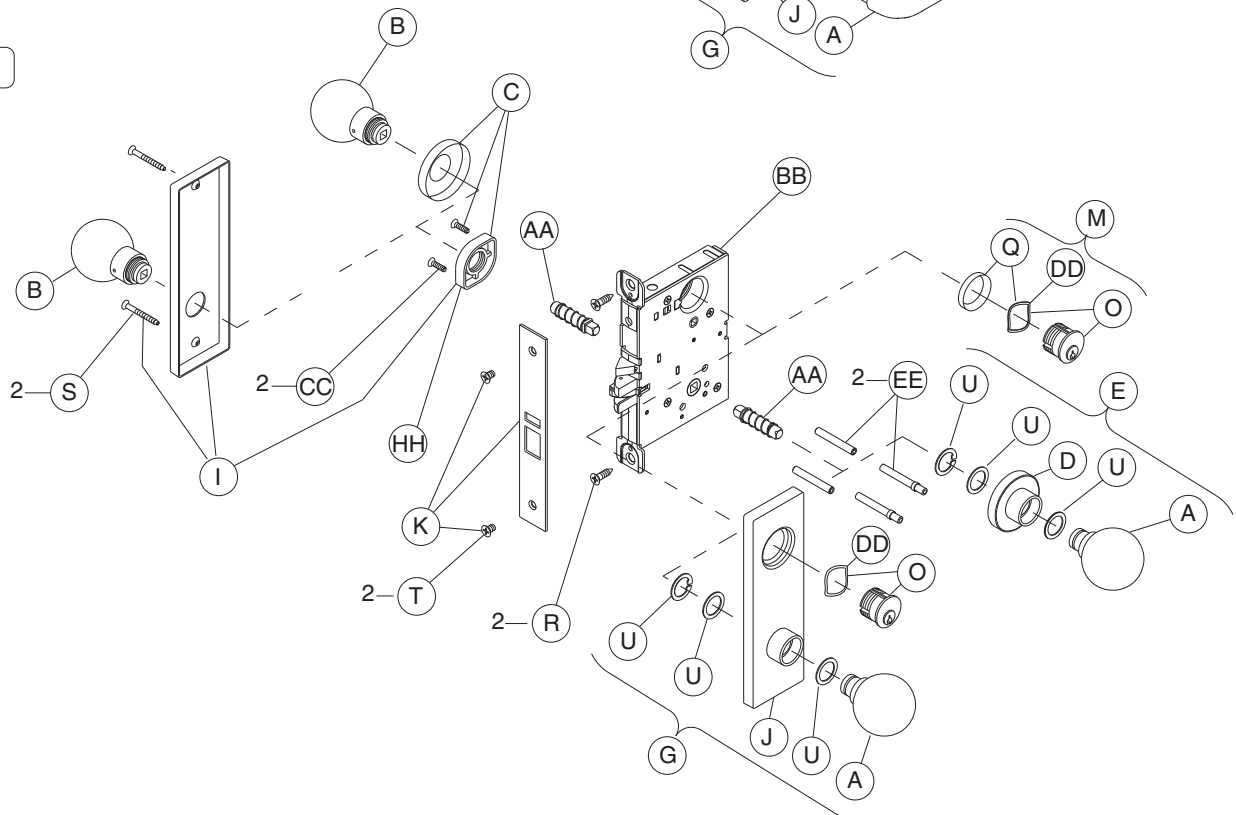
Trim Assemblies

Cylinder Outside Trim: L9070, LV9070, L9076, LV9076, L9080, LV9080, L9080EL/EU, LV9080EL/EU, L9080EL/EU-RX, L9464 x XL11-886, L9465

Levers



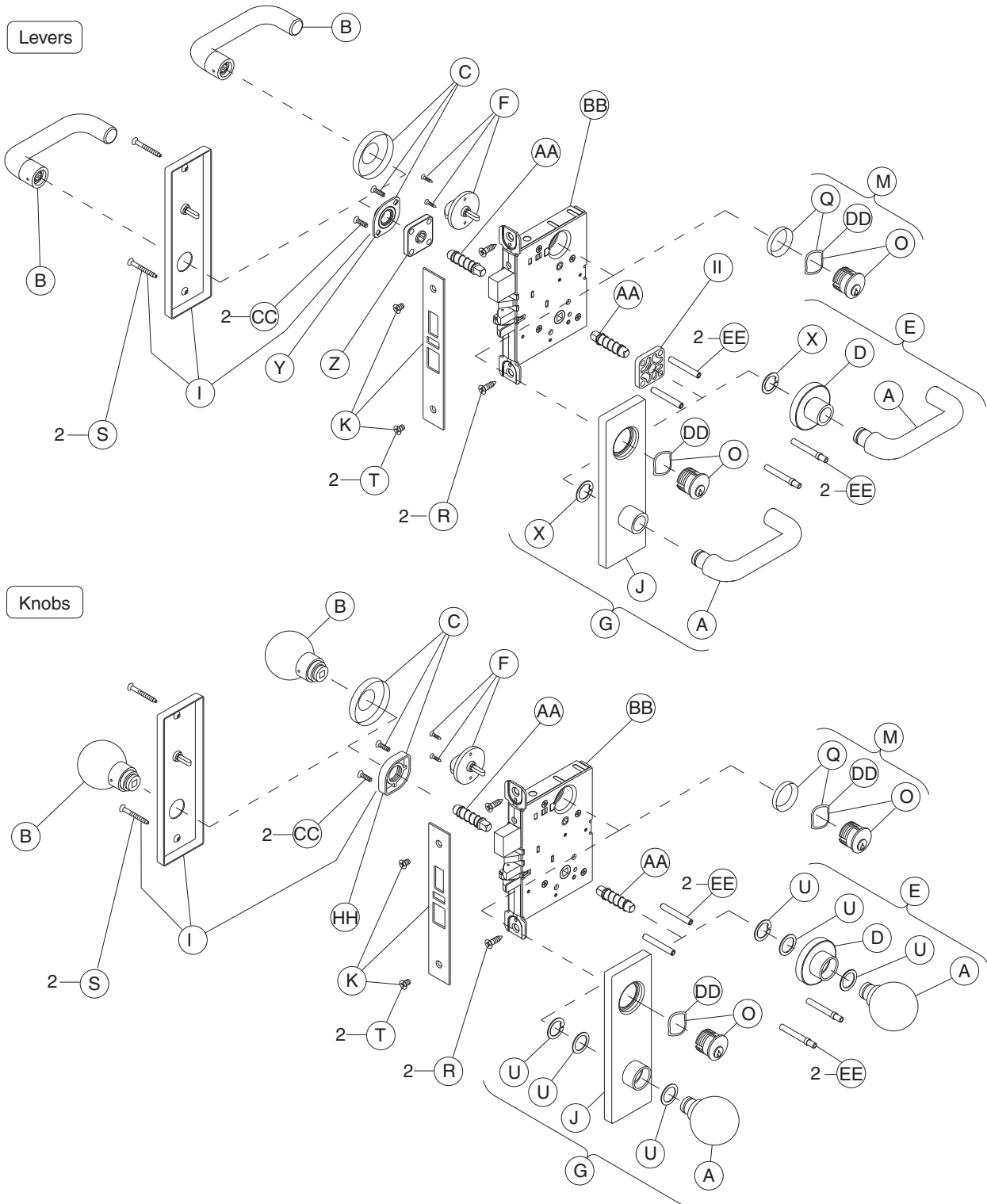
Knobs



NOTE: L9465 lock function has a latch and deadbolt. Lock case and armor front shown with latch and auxiliary latch.
 L9464 x XL11-886 lock function has deadbolt only. Lock case and armor front shown with latch and auxiliary latch.
 Standard full face mortise cylinder shown.

Trim Assemblies

Fixed Outside x Turn Trim: L9460 x XL11-886, L9480, LV9480, L9485, LV9485



NOTES: L9460 x XL11-886 lock function has a deadbolt only. Lock case and armor front shown with latch, auxiliary latch, and deadbolt. Standard full face mortise cylinder shown.