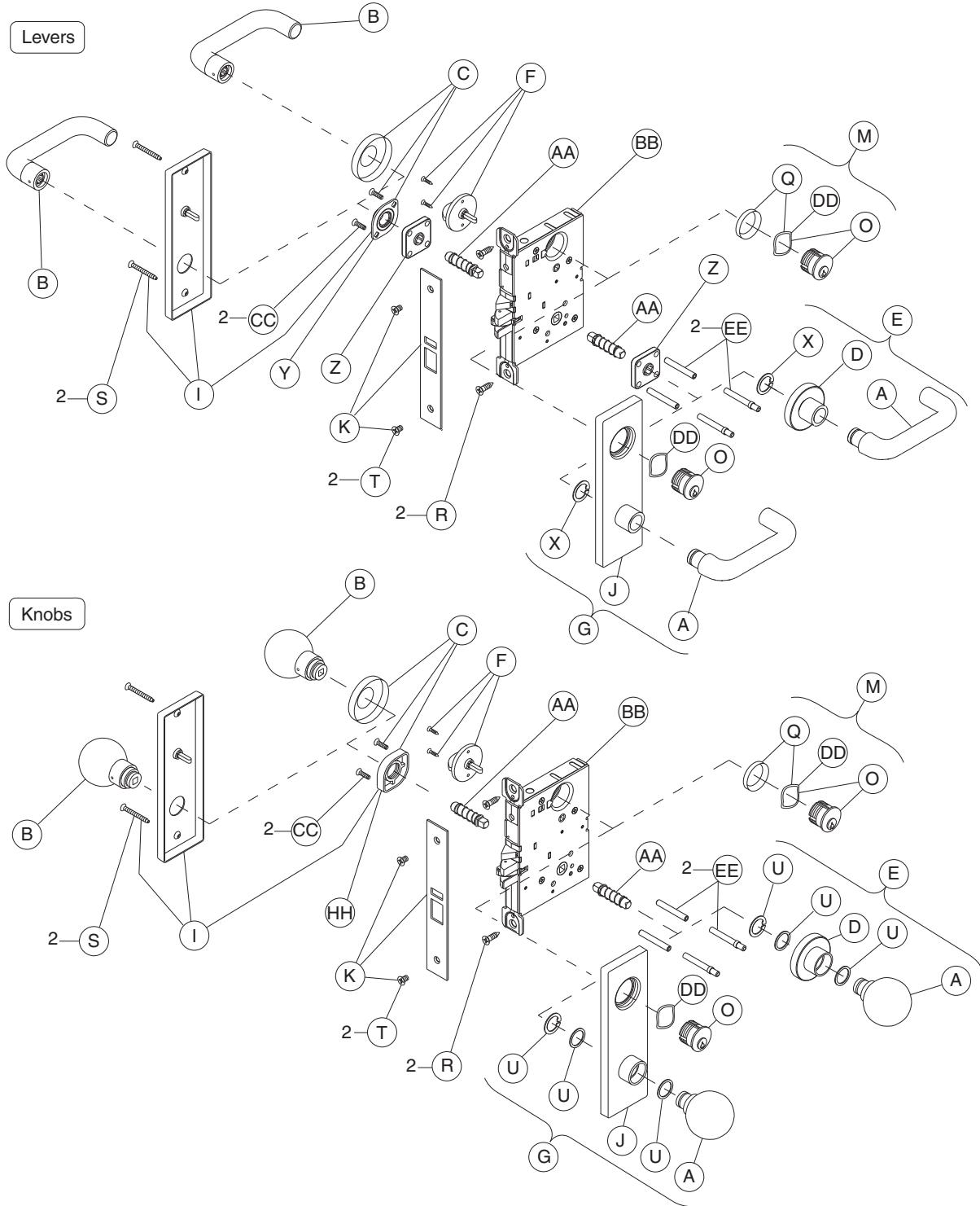


Trim Assemblies

Cylinder x Turn Trim: L9050, LV9050, L9056, LV9056, L9453, LV9453, L9456, LV9456, L9473



NOTE: L9456, LV9456, and L9473 lock functions have a latch and deadbolt. Lock case and armor front shown with latch and auxiliary latch.
 L9453, LV9453 lock functions have a latch, auxiliary latch, and deadbolt. Lock case and armor front shown with latch and auxiliary latch only.
 Standard full face mortise cylinder shown.