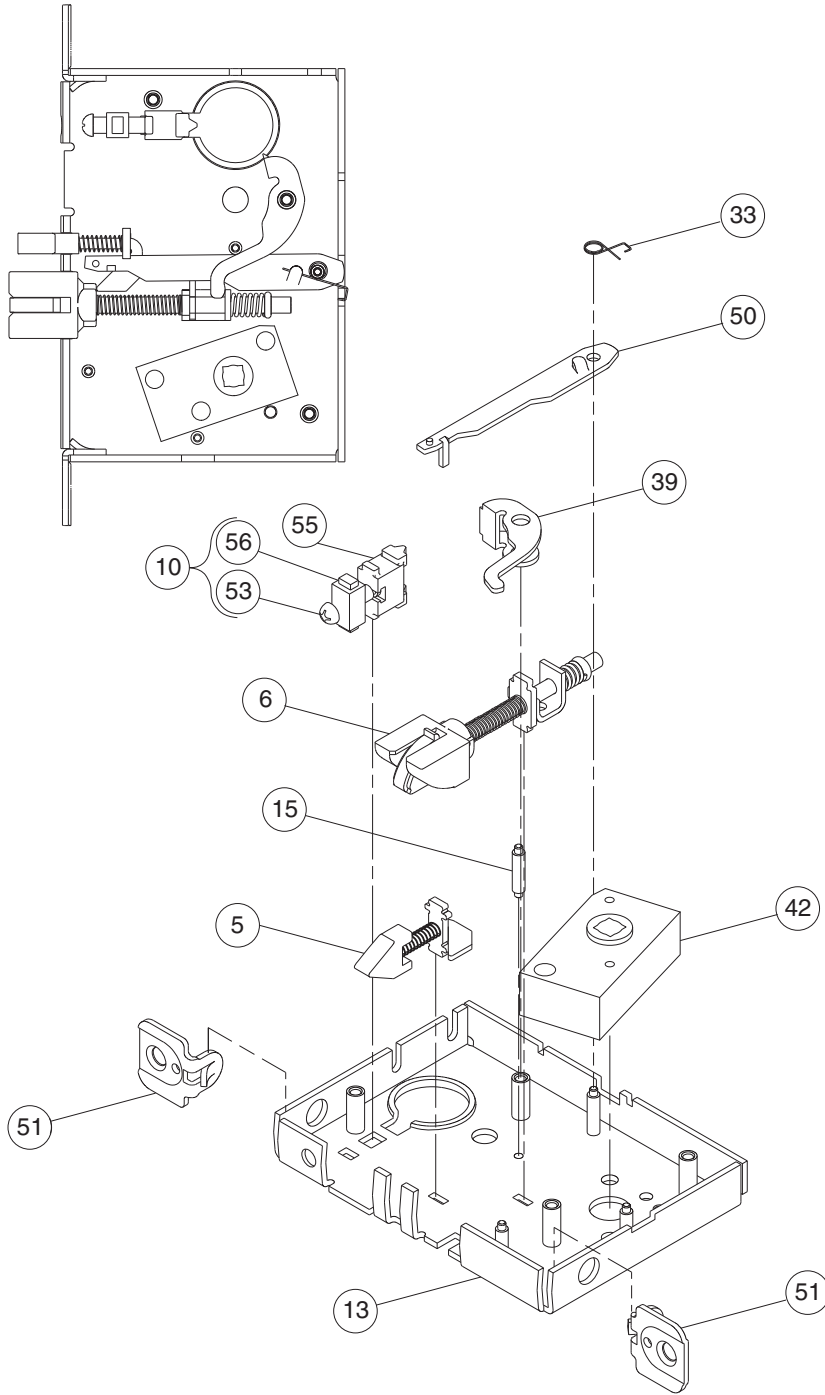


Lock Case Assemblies

L9082

Assembled Lock Case L283-146



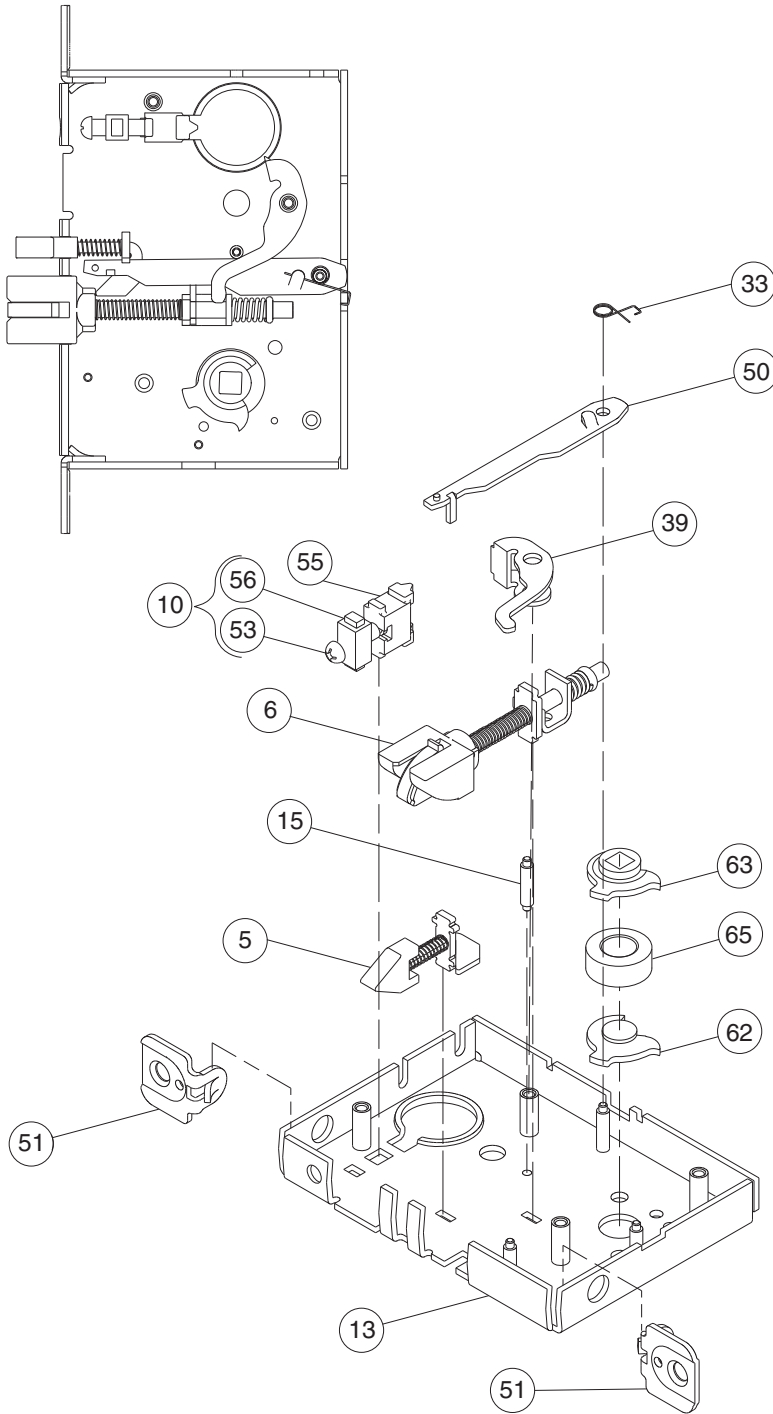
Number	Description	Part Number
5	Auxiliary Latchbolt	L283-006
6	Latchbolt	L283-008
10	Cylinder Plate & Screw	L283-055
13	L9000 Lock Case	L283-112
15	Standoff Post	L583-004
33	Stop Spring	L583-044
39	Transfer Lever	L583-051
42	Spindle Anchor	L583-057
50	Auxiliary Stop	L583-196
51	1 1/4" Faceplate Tab	L583-426
52	Case Cover Screws	L583-454
53	Cylinder Retainer Screw	L583-481
55	Cylinder Retainer	L583-490
56	Screw Plate	L583-492
58	Lock Case Cover	L583-496

NOTE: Lock case assembly shown for LH and LHR doors.

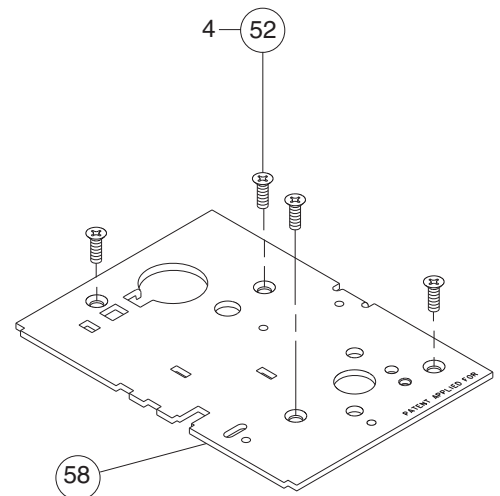
Lock Case Assemblies

LV9082

Assembled Lock Case L283-182



Number	Description	Part Number
5	Auxiliary Latchbolt	L283-006
6	Latchbolt	L283-008
10	Cylinder Plate & Screw	L283-055
13	L9000 Lock Case	L283-112
15	Standoff Post	L583-004
33	Stop Spring	L583-044
39	Transfer Lever	L583-051
50	Auxiliary Stop	L583-196
51	1¼" Faceplate Tab	L583-426
52	Case Cover Screws	L583-454
53	Cylinder Retainer Screw	L583-481
55	Cylinder Retainer	L583-490
56	Screw Plate	L583-492
58	Lock Case Cover	L583-496
62	Bottom Hub	L583-386
63	Top Hub	L583-387
65	Spacer	L583-346



NOTE: Lock case assembly shown for RH and RHR doors.