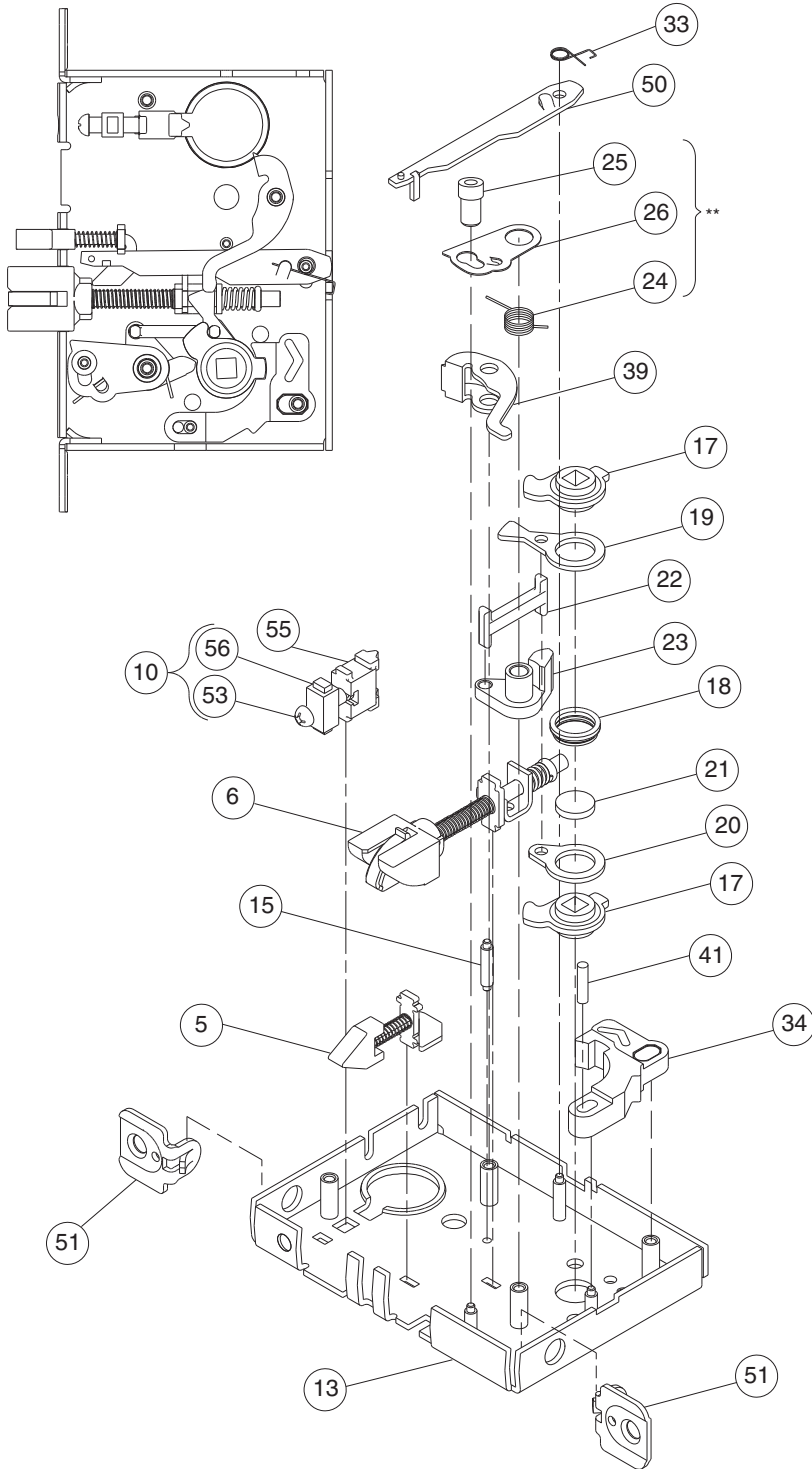


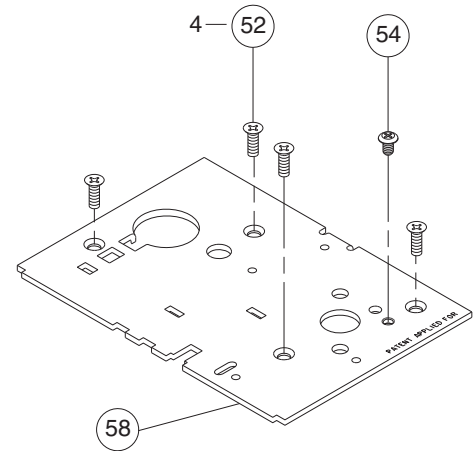
Lock Case Assemblies

L9080

Assembled Lock Case L283-134



Number	Description	Part Number
5	Auxiliary Latchbolt	L283-006
6	Latchbolt	L283-008
10	Cylinder Plate & Screw	L283-055
13	L9000 Lock Case	L283-112
15	Standoff Post	L583-004
17	Retractor Hub	L583-019
18	Hub Spacer	L583-020
19	Retractor Lever	L583-021
20	Retractor Rocker	L583-022
21	Blocking Plate	L583-023
22	Retractor Link	L583-024
23	Retractor Crank	L583-025
24	Hub Spring	L583-026
25	Fire Door Fuse	L583-027
26	Fire Door Catch	L583-028
33	Stop Spring	L583-044
34	Locking Catch	L583-045
39	Transfer Lever	L583-051
41	Catch Pin	L583-056
50	Auxiliary Stop	L583-196
51	1 1/4" Faceplate Tab	L583-426
52	Case Cover Screws	L583-454
53	Cylinder Retainer Screw	L583-481
54	Lock Handing Screw	L583-485
55	Cylinder Retainer	L583-490
56	Screw Plate	L583-492
58	Lock Case Cover	L583-496



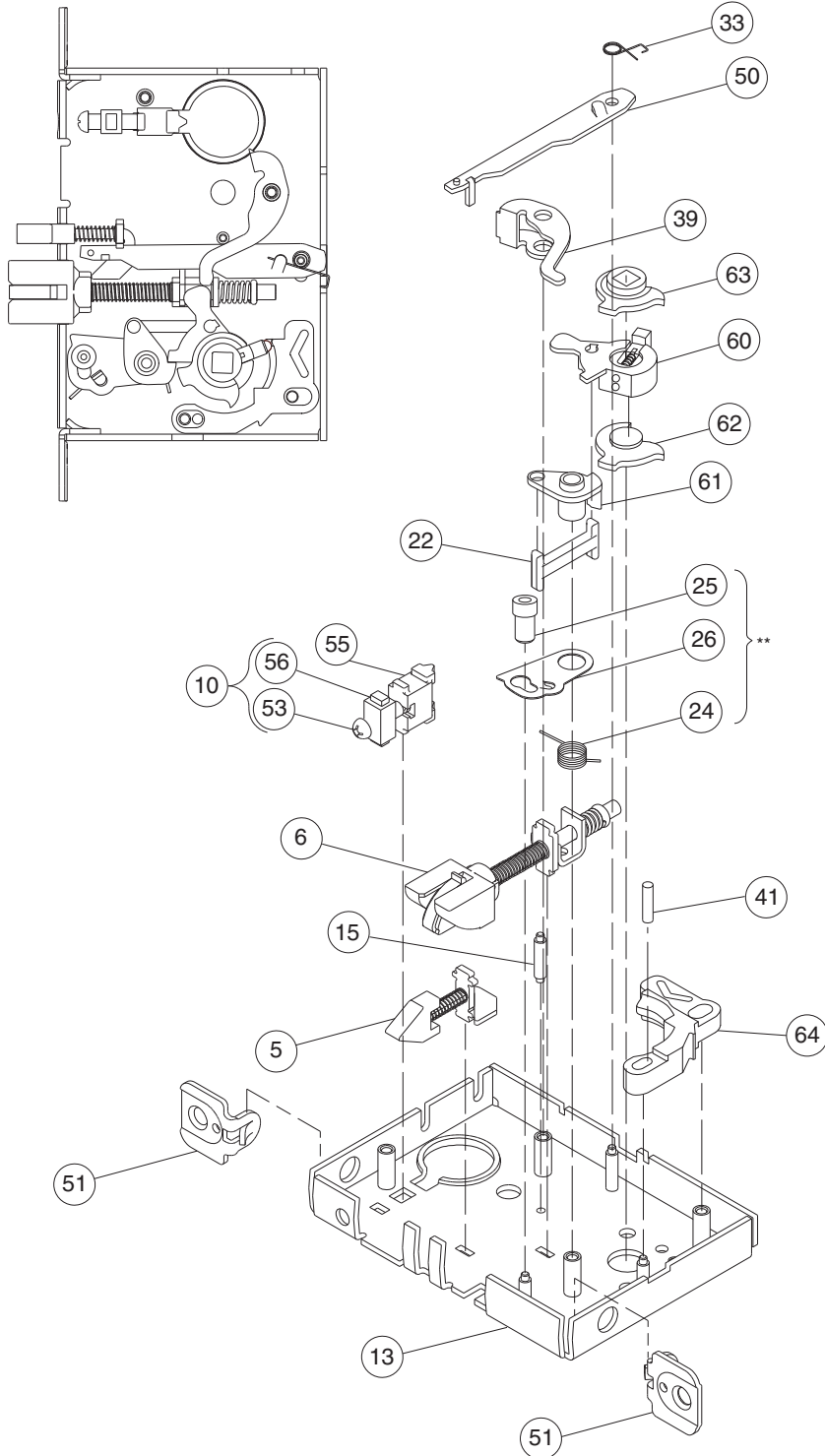
** Please see "Assembly of Lock Case Parts" on page 87.

NOTE: Lock case assembly shown for LH and LHR doors. See page 117 for instructions on changing the lock hand.

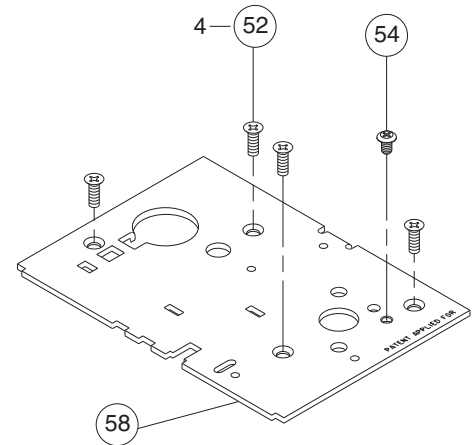
Lock Case Assemblies

LV9080

Assembled Lock Case L283-173



Number	Description	Part Number
5	Auxiliary Latchbolt	L283-006
6	Latchbolt	L283-008
10	Cylinder Plate & Screw	L283-055
13	L9000 Lock Case	L283-112
15	Standoff Post	L583-004
22	Retractor Link	L583-024
24	Hub Spring	L583-026
25	Fire Door Fuse	L583-027
26	Fire Door Catch	L583-028
33	Stop Spring	L583-044
39	Transfer Lever	L583-051
41	Catch Pin	L583-056
50	Auxiliary Stop	L583-196
51	1 1/4" Faceplate Tab	L583-426
52	Case Cover Screws	L583-454
53	Cylinder Retainer Screw	L583-481
54	Lock Handing Screw	L583-485
55	Cylinder Retainer	L583-490
56	Screw Plate	L583-492
58	Lock Case Cover	L583-496
60	Retractor Lever Assy	L583-147
61	Crank Retractor	L583-383
62	Bottom Hub	L583-386
63	Top Hub	L583-387
64	Retractor Catch	L583-345



** Please see "Assembly of Lock Case Parts" on page 87.

NOTE: Lock case assembly shown for RH and RHR doors. See page 117 for instructions on changing the lock hand.