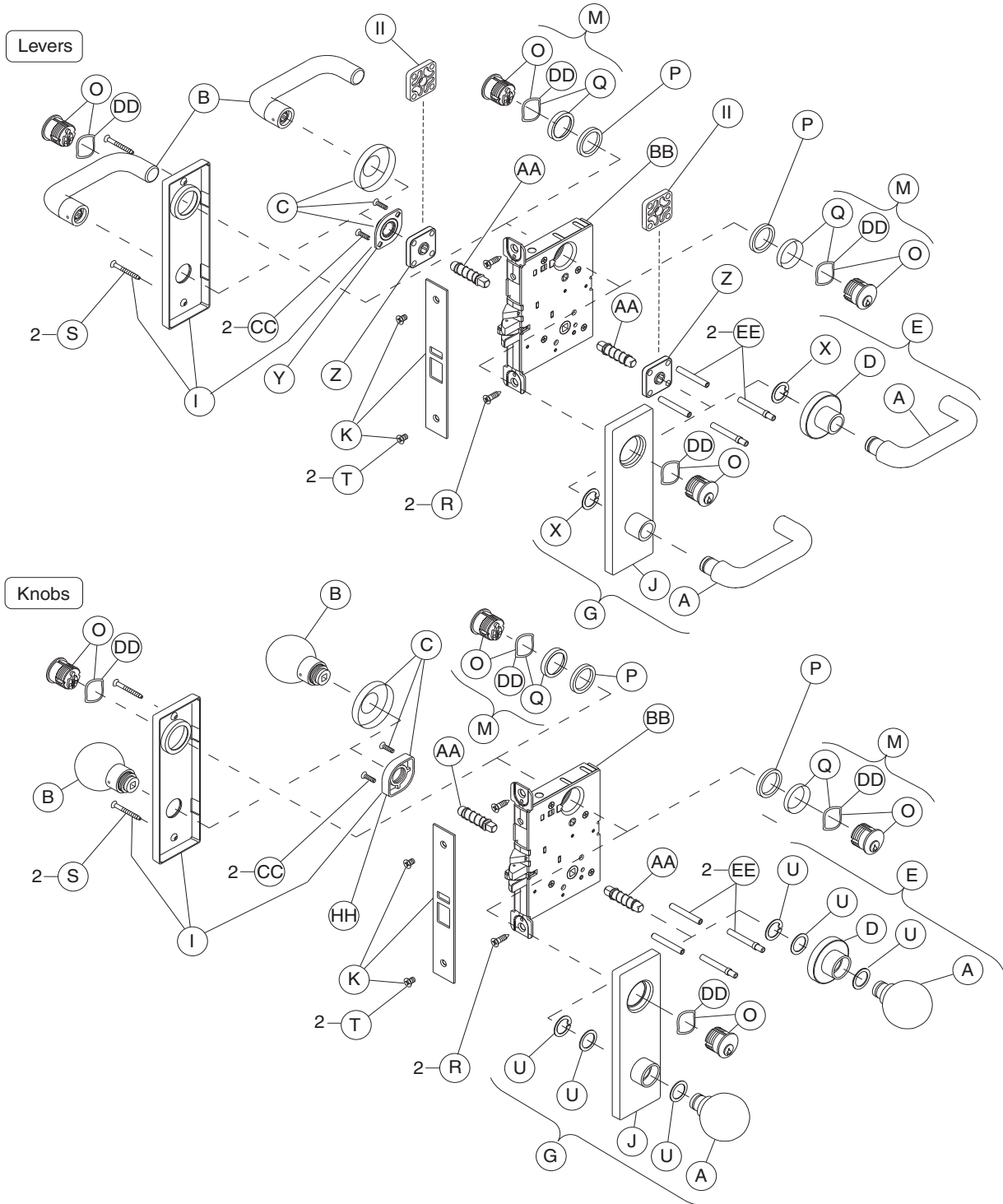


# Trim Assemblies

Double Cylinder Trim: L9060, LV9060, L9071, LV9071, L9077, LV9077, L9082, LV9082, L9457, LV9457, L9462 x XL11-886, L9466



**NOTE:** L9457, LV9457, and L9466 lock functions have a latch and deadbolt. Lock case and armor front shown with latch and auxiliary latch. L9462 x XL11-886 lock function has deadbolt only. Lock case and armor front shown with latch & auxiliary latch. Standard full face mortise cylinder shown.