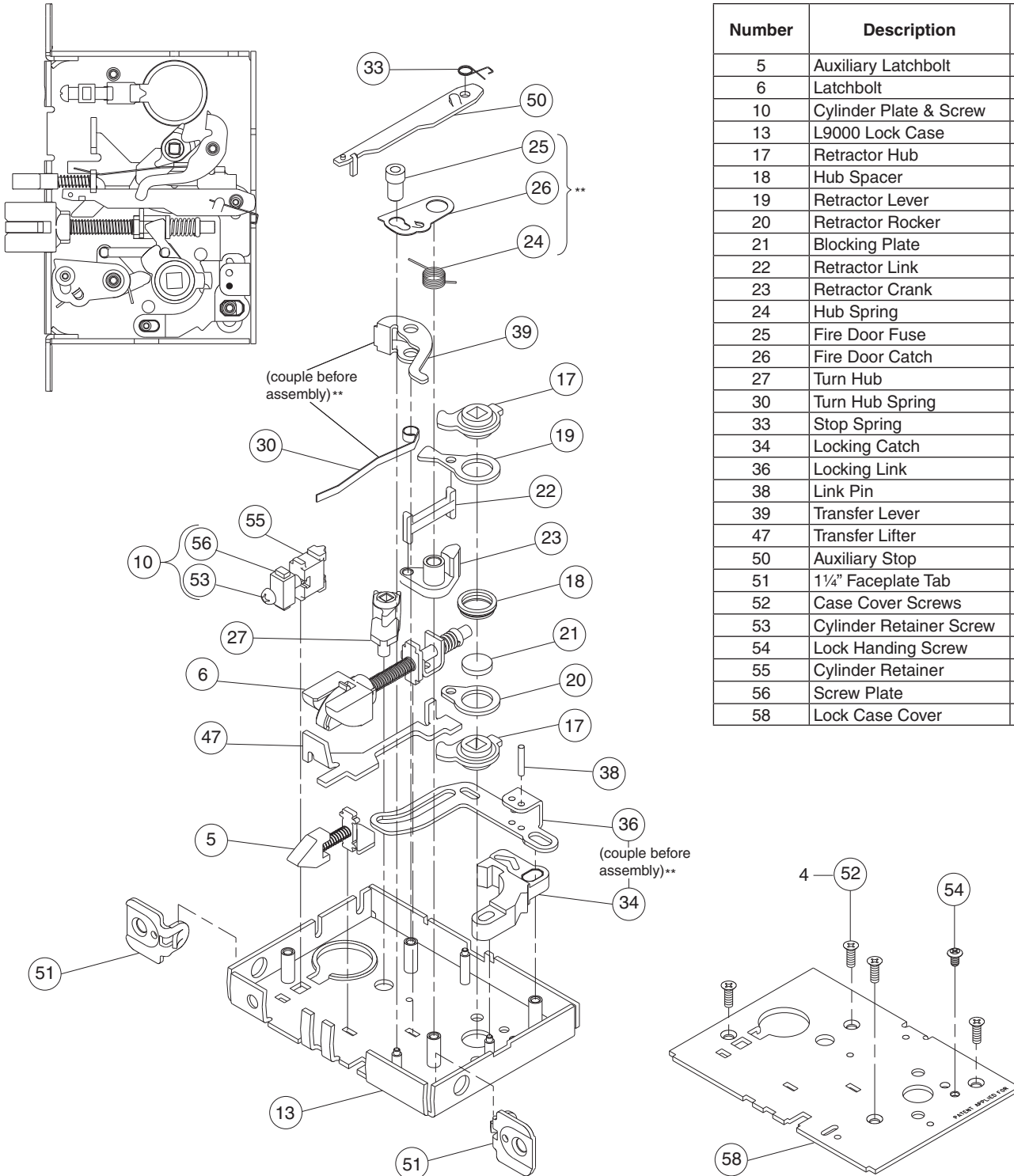


## Lock Case Assemblies

L9050, L9060, L9070, L9071

Assembled Lock Case L283-133



Number	Description	Part Number
5	Auxiliary Latchbolt	L283-006
6	Latchbolt	L283-008
10	Cylinder Plate & Screw	L283-055
13	L9000 Lock Case	L283-112
17	Retractor Hub	L583-019
18	Hub Spacer	L583-020
19	Retractor Lever	L583-021
20	Retractor Rocker	L583-022
21	Blocking Plate	L583-023
22	Retractor Link	L583-024
23	Retractor Crank	L583-025
24	Hub Spring	L583-026
25	Fire Door Fuse	L583-027
26	Fire Door Catch	L583-028
27	Turn Hub	L583-029
30	Turn Hub Spring	L583-035
33	Stop Spring	L583-044
34	Locking Catch	L583-045
36	Locking Link	L583-048
38	Link Pin	L583-050
39	Transfer Lever	L583-051
47	Transfer Lifter	L583-156
50	Auxiliary Stop	L583-196
51	1¼" Faceplate Tab	L583-426
52	Case Cover Screws	L583-454
53	Cylinder Retainer Screw	L583-481
54	Lock Handing Screw	L583-485
55	Cylinder Retainer	L583-490
56	Screw Plate	L583-492
58	Lock Case Cover	L583-496

\*\* Please see "Assembly of Lock Case Parts" on page 87.

**NOTE:** Lock case assembly shown for LH and LHR doors. See page 117 for instructions on changing the lock hand.