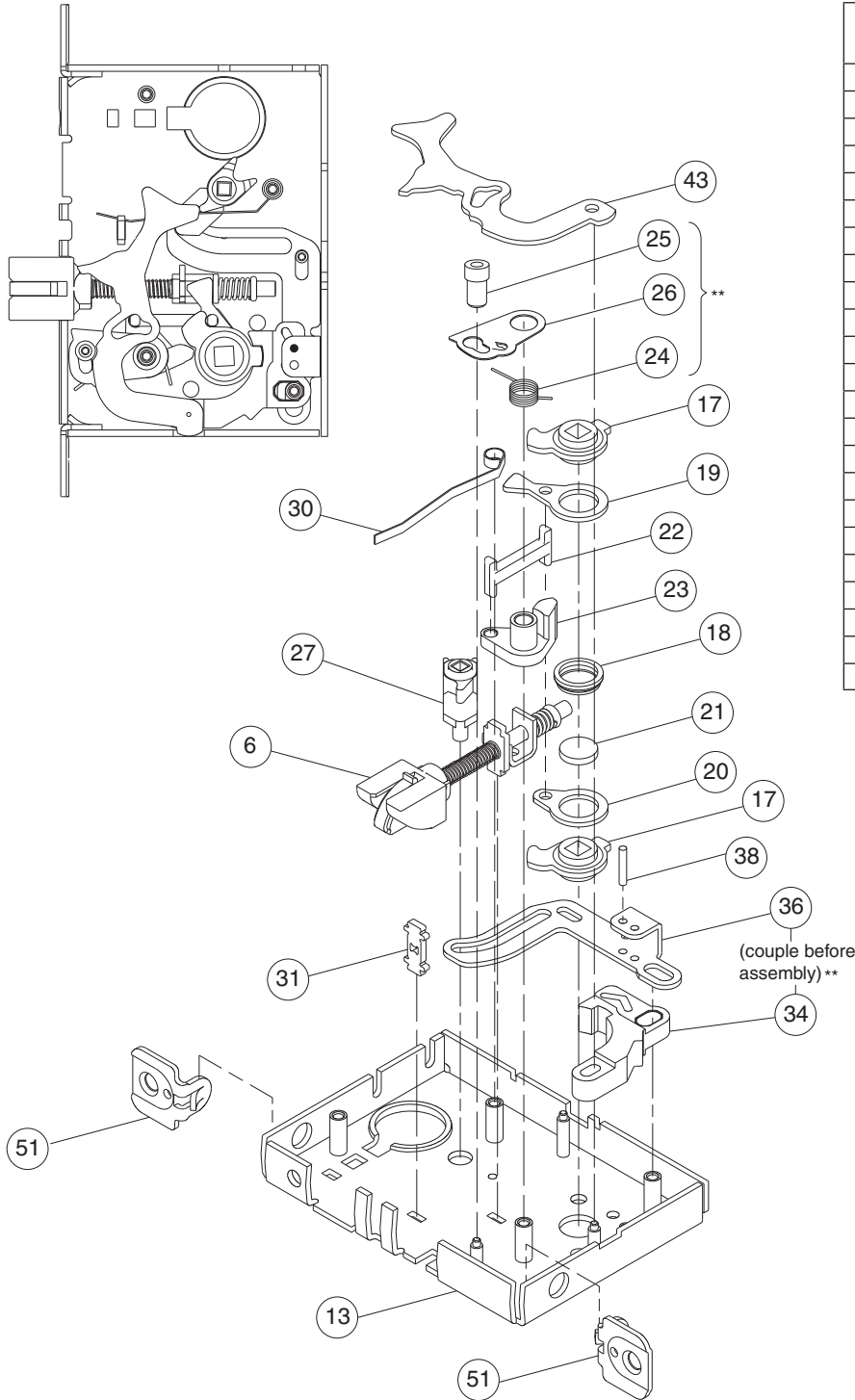


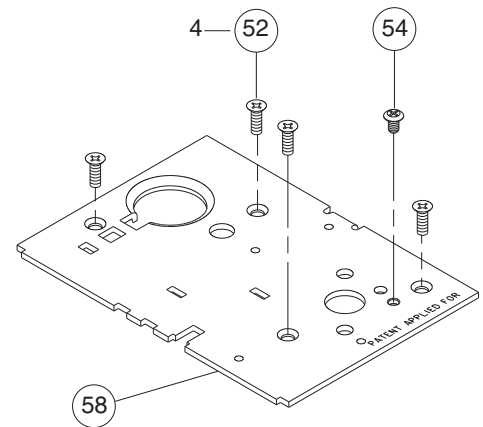
Lock Case Assemblies

L9040, L9040 x XL11-446, L9044

Assembled Lock Case L283-132



Number	Description	Part Number
6	Latchbolt	L283-008
13	L9000 Lock Case	L283-112
17	Retractor Hub	L583-019
18	Hub Spacer	L583-020
19	Retractor Lever	L583-021
20	Retractor Rocker	L583-022
21	Blocking Plate	L583-023
22	Retractor Link	L583-024
23	Retractor Crank	L583-025
24	Hub Spring	L583-026
25	Fire Door Fuse	L583-027
26	Fire Door Catch	L583-028
27	Turn Hub	L583-029
30	Turn Hub Spring	L583-035
31	Auxiliary Bar Guide	L583-038
34	Locking Catch	L583-045
36	Locking Link	L583-048
38	Link Pin	L583-050
43	Simultaneous Retractor	L583-058
51	1/4" Faceplate Tab	L583-426
52	Case Cover Screws	L583-454
54	Lock Handing Screw	L583-485
58	Lock Case Cover	L583-496



** Please see "Assembly of Lock Case Parts" on page 87.

NOTE: Lock case assembly shown for LH and LHR doors. See page 117 for instructions on changing the lock hand.