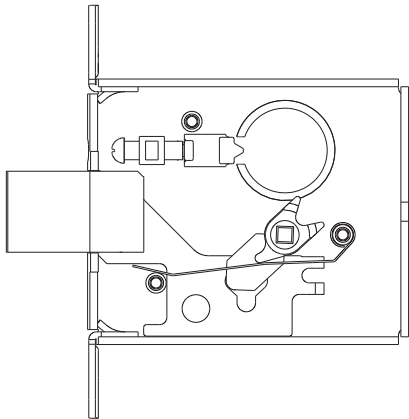


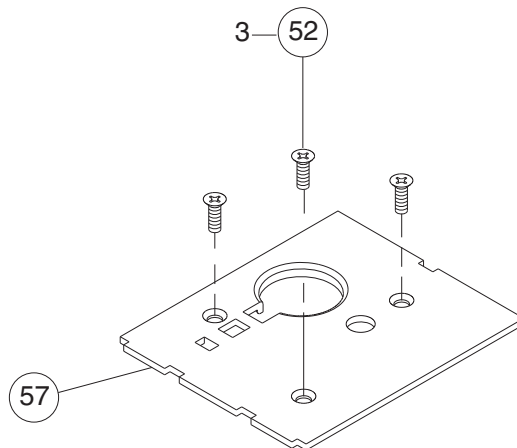
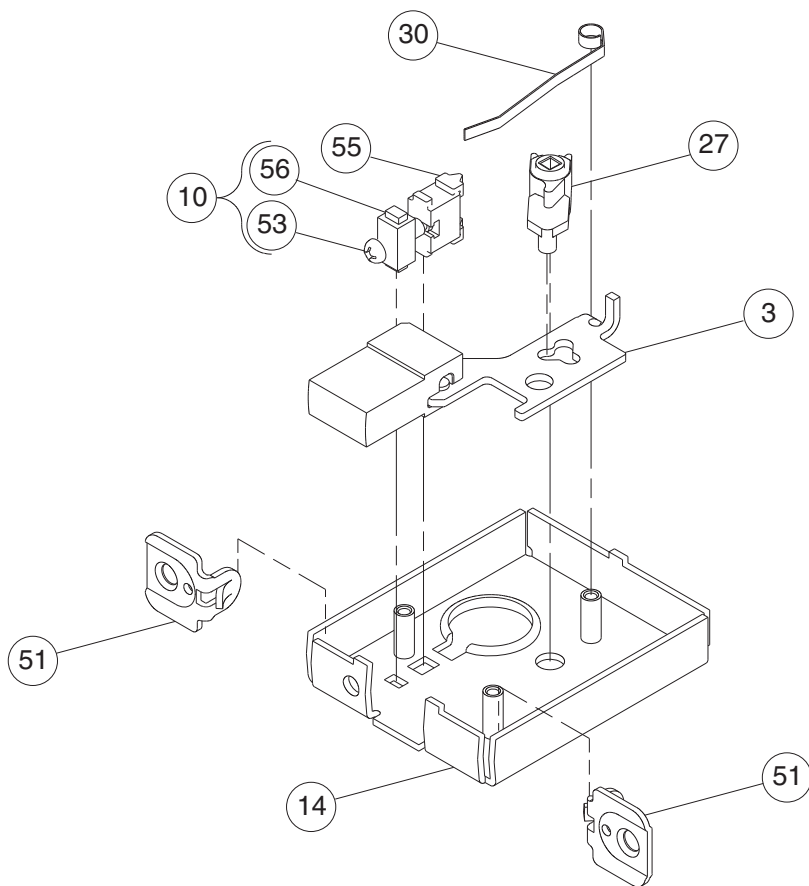
Lock Case Assemblies

L460, L462, L463, L464, L480, L496

Assembled Lock Case L283-099



| Number | Description | Part Number |
|--------|-------------------------|-------------|
| 3 | Deadbolt | L283-003 |
| 10 | Cylinder Plate & Screw | L283-055 |
| 14 | L400 Lock Case | L283-128 |
| 27 | Turn Hub | L583-029 |
| 30 | Turn Hub Spring | L583-035 |
| 51 | 1 1/4" Faceplate Tab | L583-426 |
| 52 | Case Cover Screws | L583-454 |
| 53 | Cylinder Retainer Screw | L583-481 |
| 55 | Cylinder Retainer | L583-490 |
| 56 | Screw Plate | L583-492 |
| 57 | Lock Case Cover | L583-494 |



NOTE: Lock case assembly shown for LH and LHR doors.