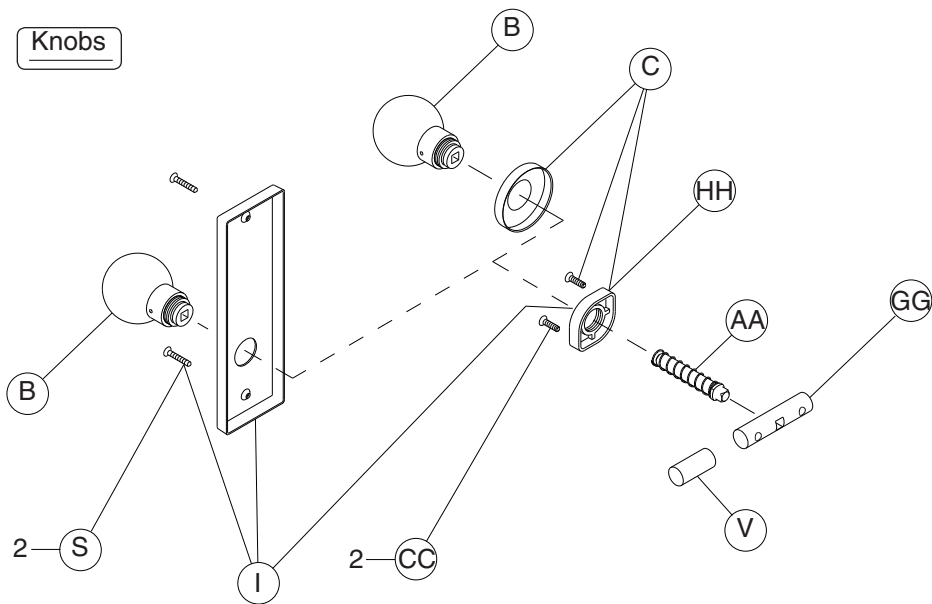
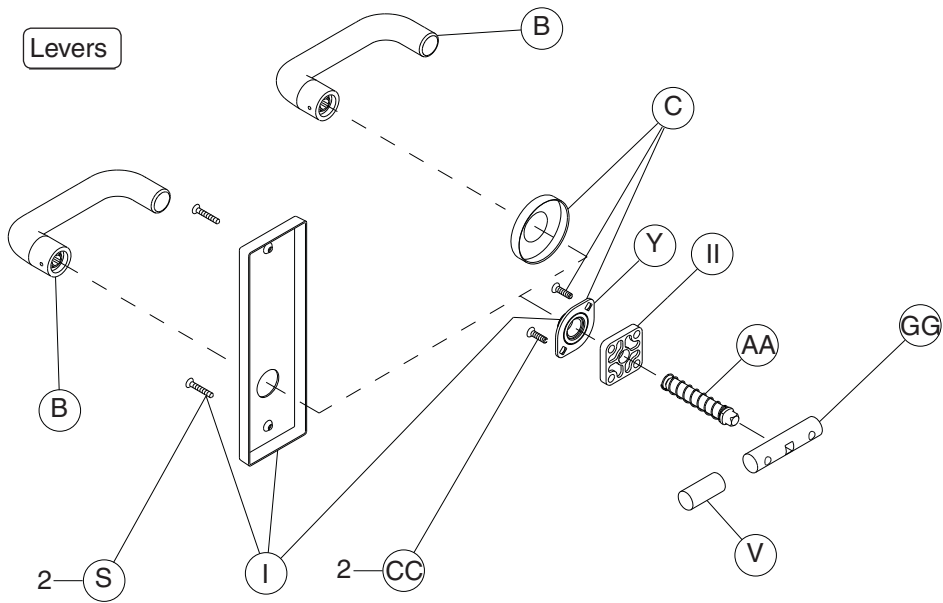


Trim Assemblies

Single Dummy Trim: L0170



NOTE: Reinforcement required for metal door applications. See Schlage Door Preparation Manual & Template Guide.