

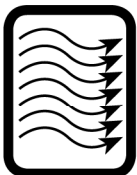
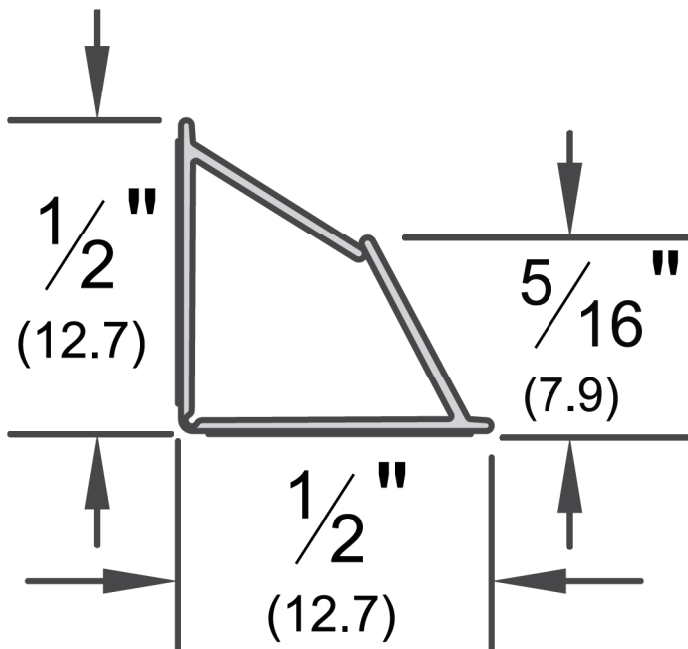
S44x2_

NEW!

AVAILABLE FINISHES: **BL, D, GR, W**

AVAILABLE LENGTHS: 17', 18', 20', 21', 25', 30', 510'

- Fits flush into corner
- Seal begins compressing at $\frac{5}{16}$ " ; compresses to seal up to a $\frac{1}{16}$ " gap in either direction



BHMA
CERTIFIED