

# Cutting Pin & Barrel Hinges To Custom Lengths

**Step 1** The following instructions will apply to all Markar pin and barrel hinges except for toilet partition hinges. The general instructions apply for the 100, 200, 300, and 3500 series hinges. Follow option (A) for specific directions related to 100 series aluminum hinges and option (B) or (C) for specific directions related to 200, 300 & 3500 series steel and stainless steel hinges.

**Step 2** Determine the amount the hinge needs to be shortened. Note the hand of the hinge before beginning to lay out your cut. All cuts should be done at the bottom of your hinge assembly so that the gang hole pattern is at the top.

**Step 3** Measure from the top of the hinge down and mark a cut line at the desired length.

**For 200, 300 & 3500 series hinges, follow instructions below**

- If less than 3/4" of knuckle is remaining follow option (B)
- If 3/4" or more of the knuckle is remaining follow option (C)

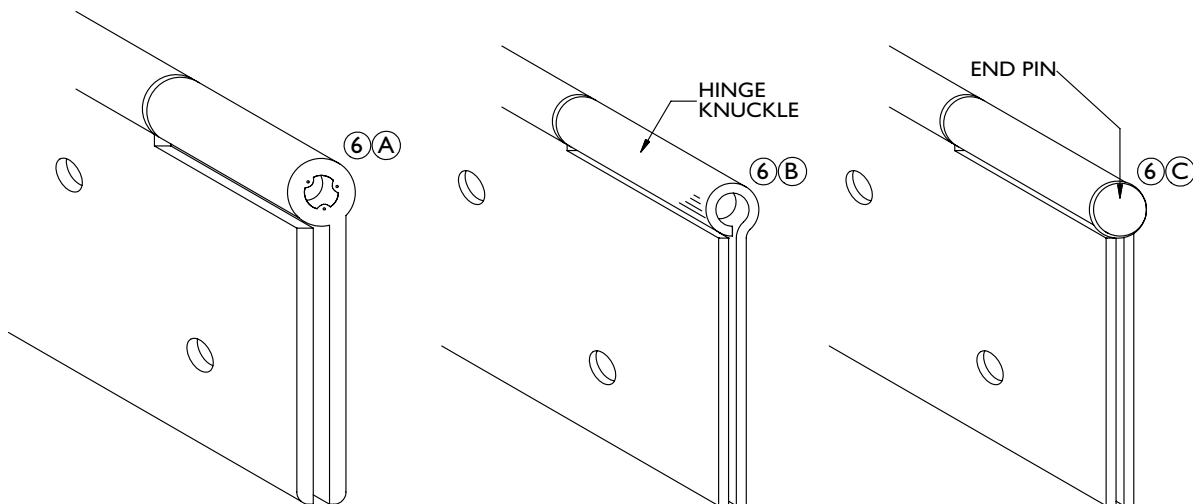
**Step 4** Cut the hinge to length with a hacksaw or horizontal band saw, going through each hinge leaf, barrel and rod. If necessary, use a file to remove sharp edges and deburr.

**Step 5** Slide the stainless steel rod out approximately 1" making sure the assembly stays together as one unit.

- (A) (B) Remove 1/4" from the rod using a hacksaw and then push back into its original position.
- (C) Remove 3/4" from the rod using a hacksaw and then push back into its original position.

**Step 6** Follow instructions below based on option used.

- (A) Using a hammer and a center-punch, swage the aluminum material towards the center of the hole locking the hinge pin into place making sure it will not slide out.
- (B) Using a pair of vice-grips, crimp the end of the steel barrel making sure the hinge pin will not slide out.
- (C) Remove the end pin from the scrap hinge and insert it into the bottom of hinge using a hammer



Ventura, CA USA  
P: 800.283.9988  
F: 800.283.4050

Memphis, TN USA  
P: 800.824.3018  
F: 800.243.3656

Vancouver, BC CA  
P: 877.535.7888  
F: 877.535.7444

Toronto, ON CA  
P: 877.535.7888  
F: 877.535.7444

Markar Architectural Products  
information@markar.com  
www.markar.com