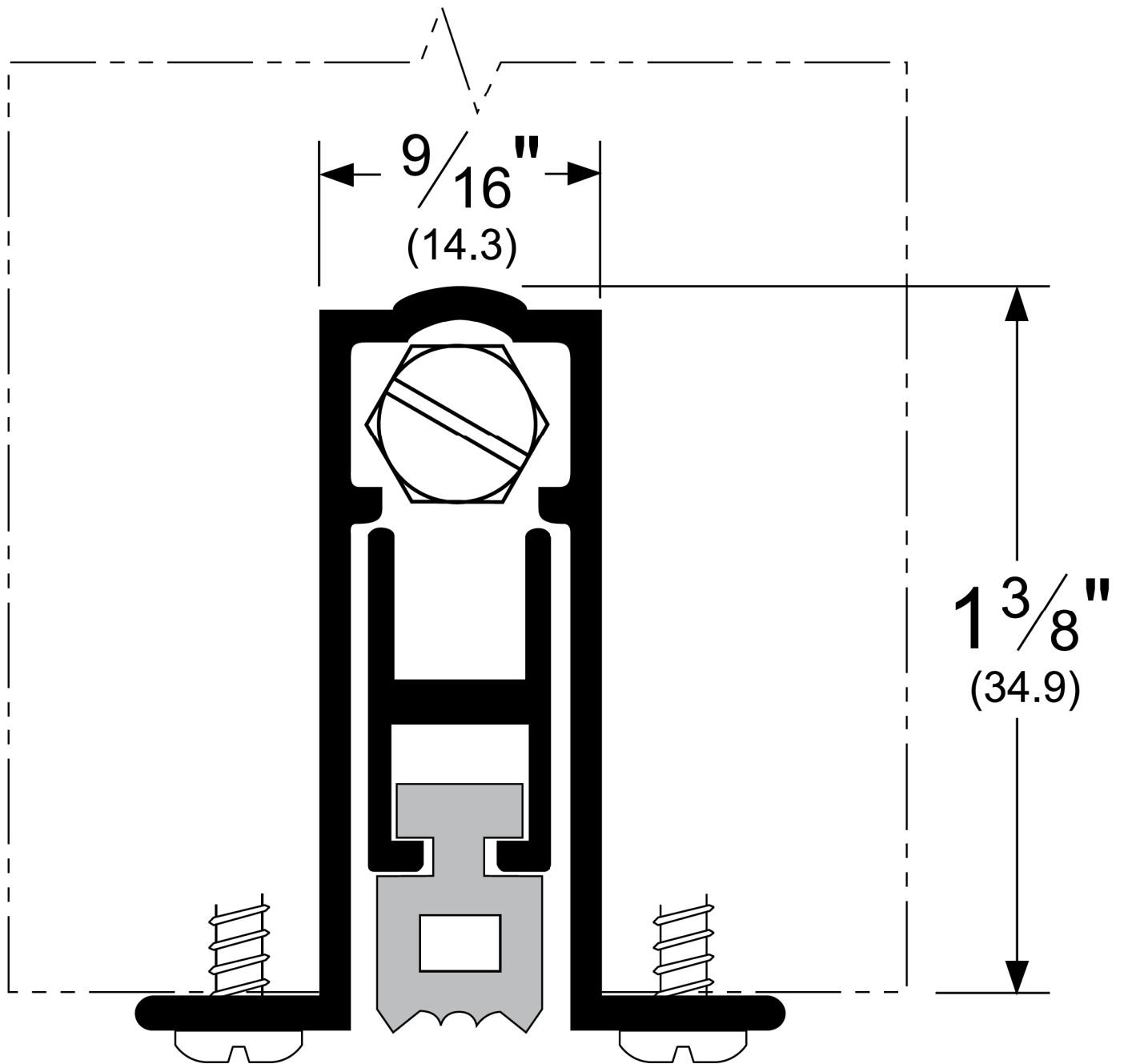
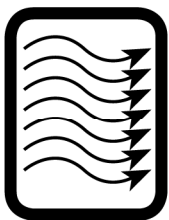


# 411\_RL

AVAILABLE FINISH: A



sponge neoprene (**R**)



**BHMA**  
CERTIFIED