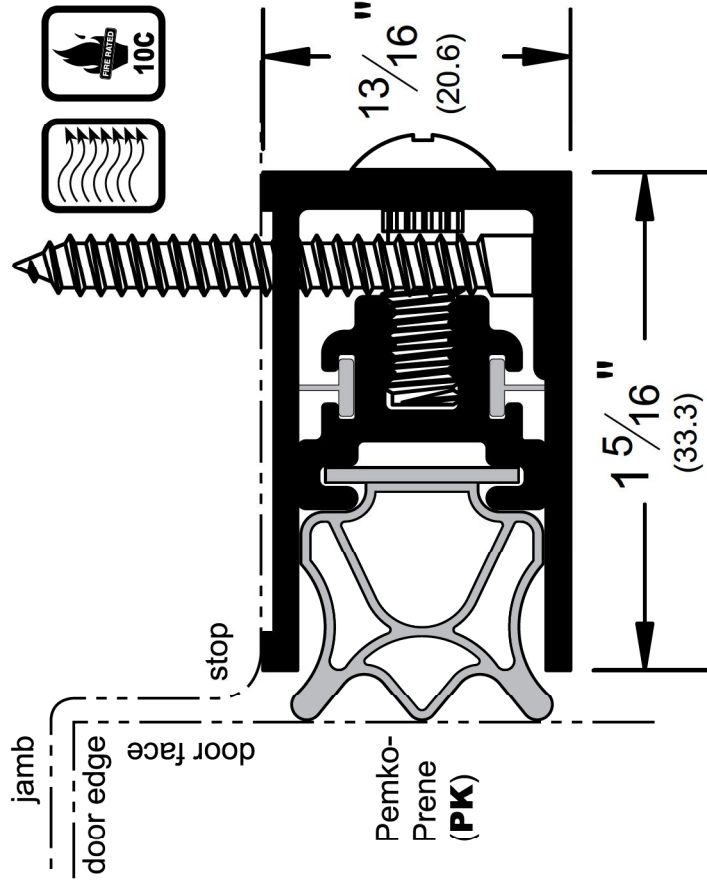


350_SPK

AVAILABLE FINISHES: C, D, G



350_SR

AVAILABLE FINISHES: C, D, G

