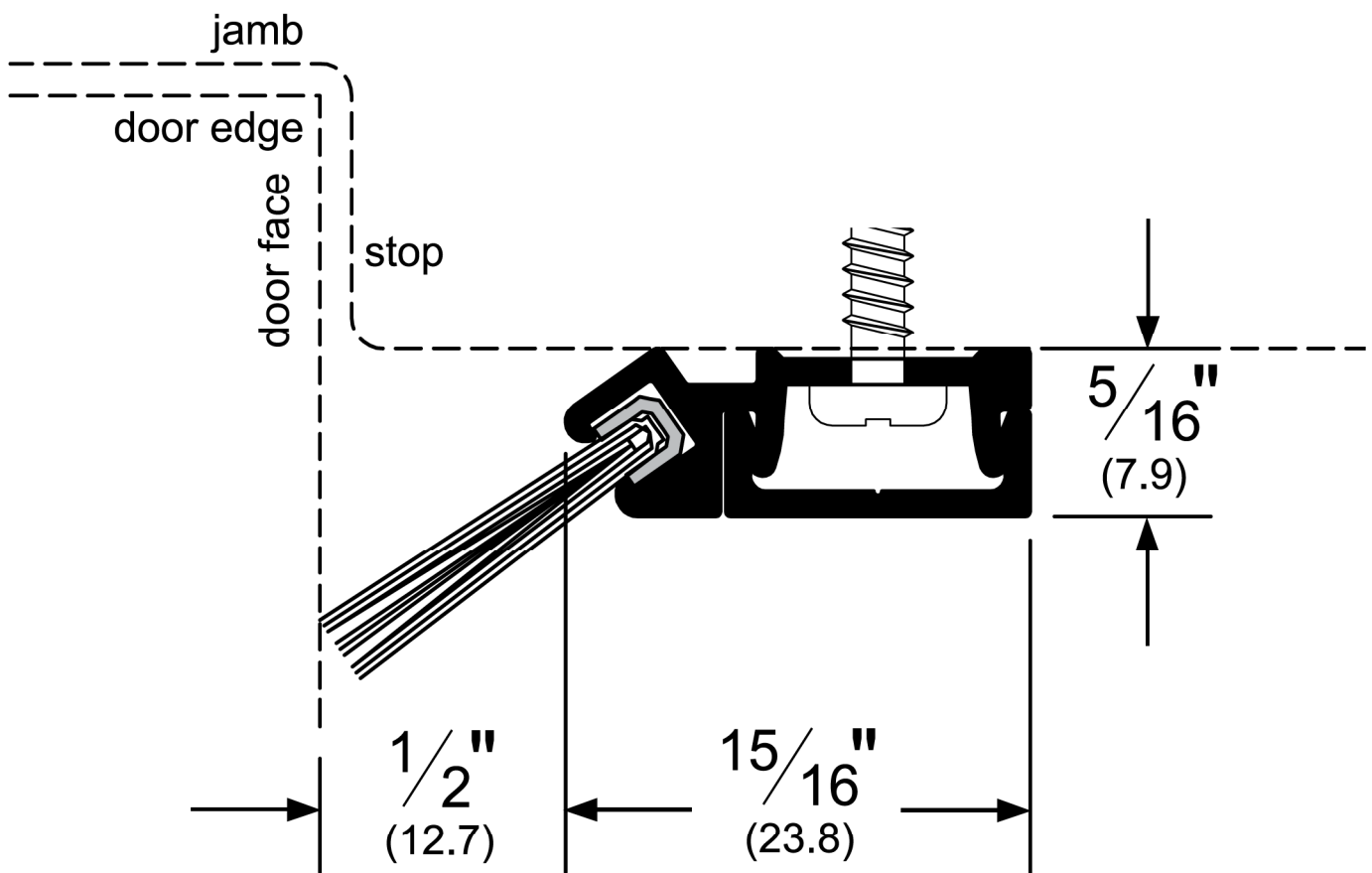


# 29346\_NB

AVAILABLE FINISHES:  
C, D



**BHMA**  
CERTIFIED