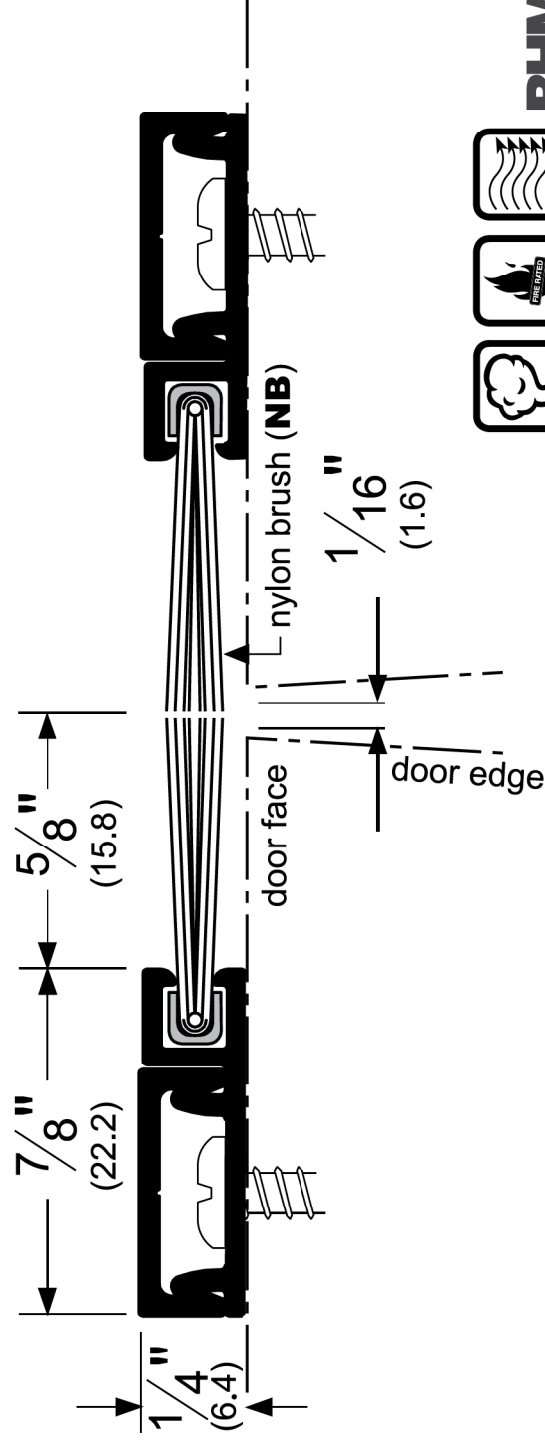


# 29326\_NB

AVAILABLE FINISHES:  
C, D, G

NOTE: Brush should  
mesh from  $\frac{1}{32}$ " to  $\frac{1}{16}$ ".



**BHMA**  
CERTIFIED