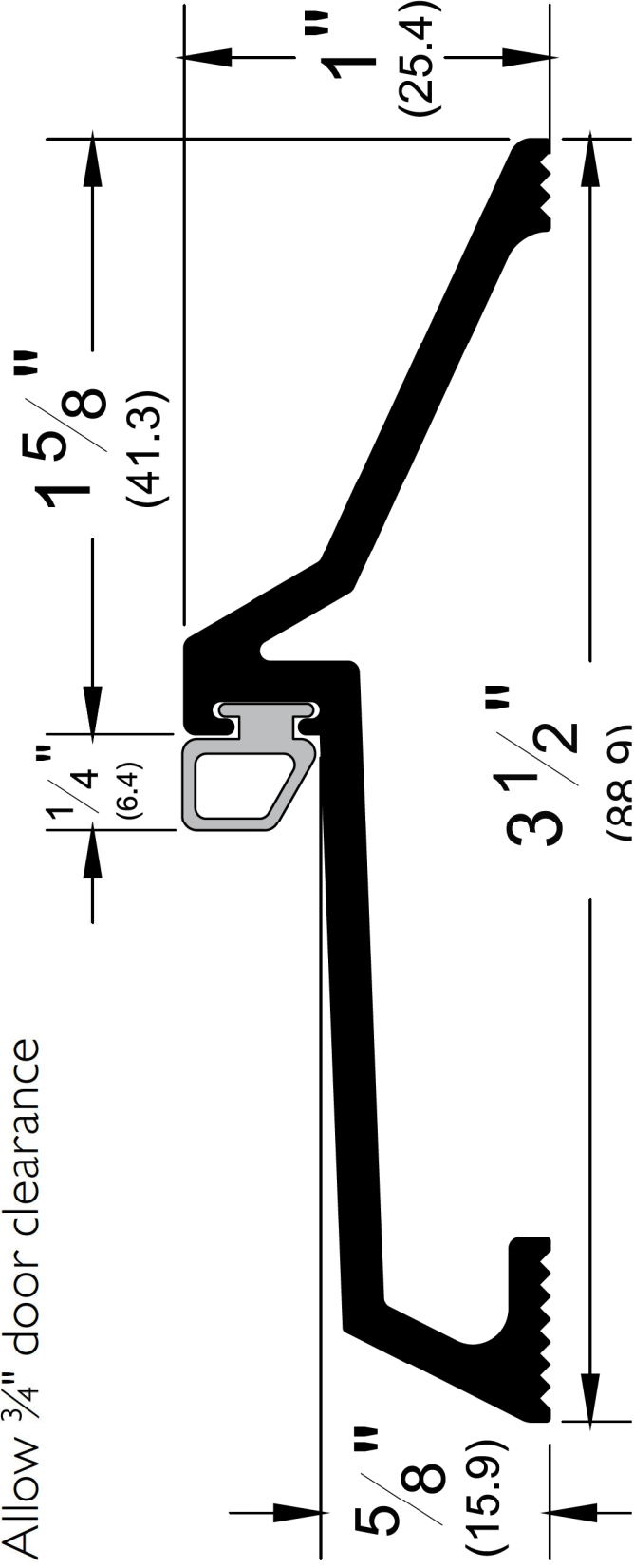


1851

AVAILABLE FINISHES: A, D, G

Allow $\frac{3}{4}$ " door clearance



BHMA
CERTIFIED