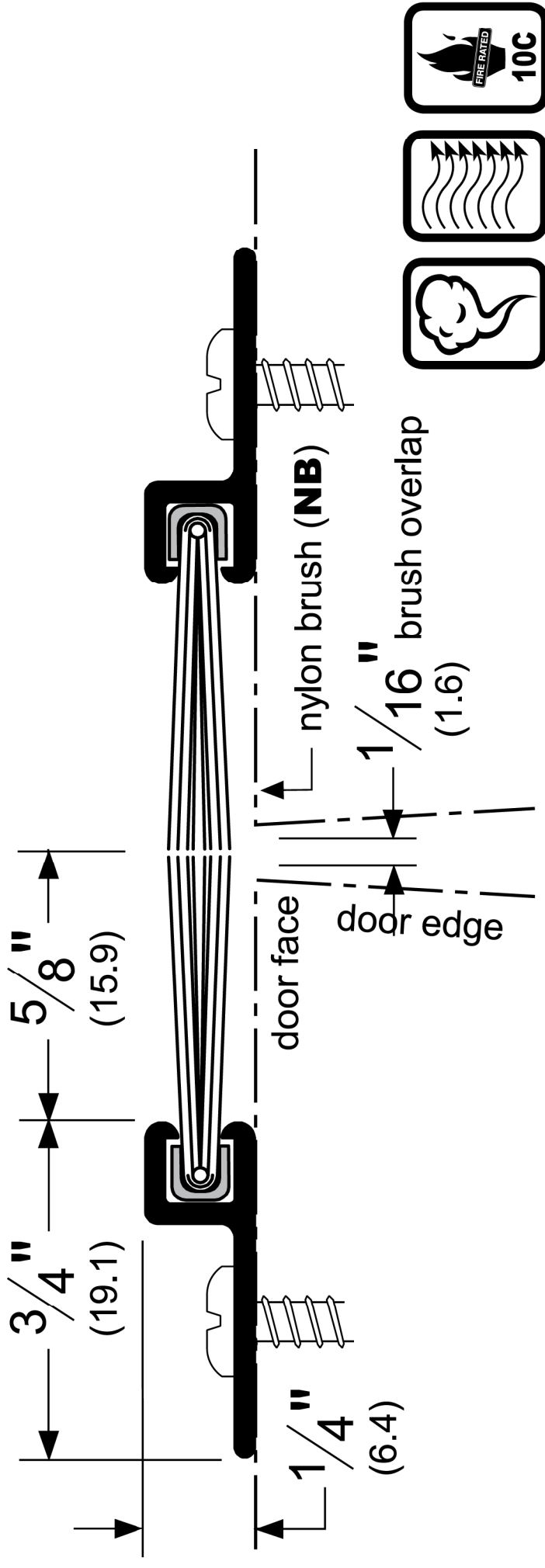


18061_NB

AVAILABLE FINISHES:

C, D, G, SN

NOTE: Brush should mesh from $\frac{1}{32}$ " to $\frac{1}{16}$ ".



BHMA
CERTIFIED