

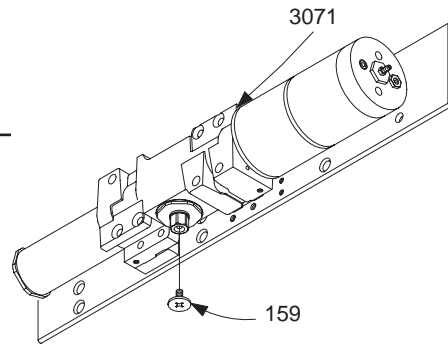
LCN 4840 SERIES "Auto-Equalizer"

Cylinder Assemblies

4841-3071	Cylinder Assembly	F, S
	<i>Includes 4841-3971, 4840-18, & -182(2)</i>	
	<i>Cylinder is adjustable size 1-5</i>	

Individual Cylinder Parts

Individual cylinder parts for 4841-3071			F, S
4841-3971	Cylinder Only		
	<i>Does not include any other components</i>		
	<i>Cylinder is adjustable size 1-5</i>		
4840-18	Mounting Plate	F	
4840-159	Arm Screw	F	
4840-182	Stand-off		

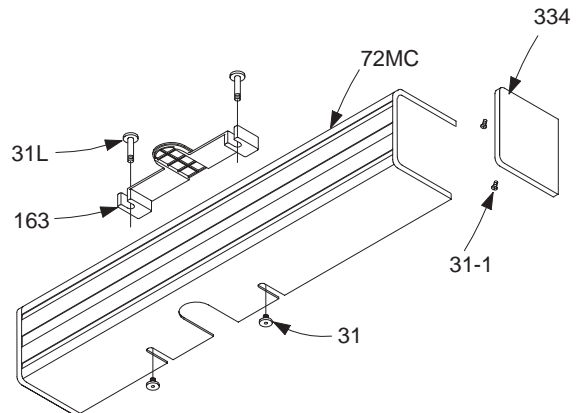
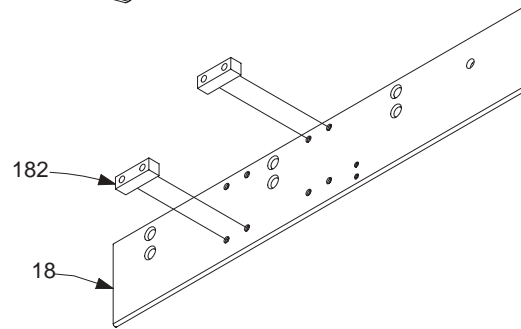
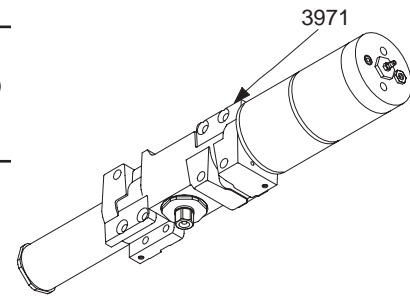


Cover

4840-72MC	Metal Cover	F
	<i>Includes 4840-31(2), -31-1(4), -31L(2), -163, & -334(2)</i>	

Individual Cover Parts

Individual cover parts for 4840-72MC		
4840-31	Cover Screw	F
4840-31-1	End Cap Screw	
4840-31L	Long Cover Screw	F
4840-334	End Cap	F
	<i>Includes 4840-31-1 (2)</i>	
4840-163	Cover Plate	F
	<i>Includes 4840-31L(2)</i>	



Please specify finish (F), size (S), hand (H), & voltage (V) where indicated. See the latest edition of the LCN Catalog for part descriptions and specifications on many of the items shown above. List prices for items shown above can be located in the current LCN Price List.