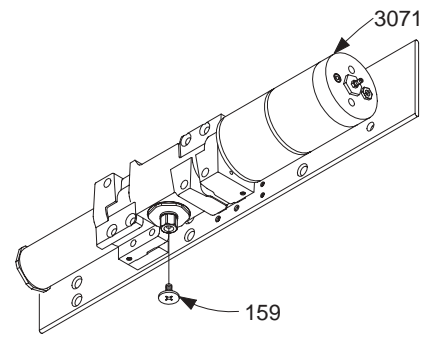


LCN 4820 SERIES "Auto-Equalizer"

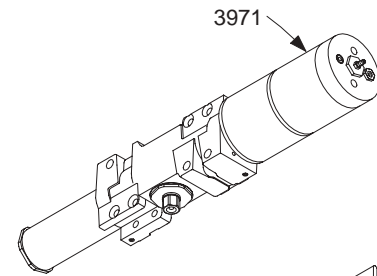
Cylinder Assemblies

4822-3071	Cylinder Assembly	F, S
	<i>Includes 4822-3971, 4820-18, & -182(2)</i>	
	<i>Cylinder is adjustable size 2-5</i>	
4822-3071/18G	Cylinder Assembly w/18G Plate	F, S
	<i>Includes 4822-3971, 4820-18G, & -182(2)</i>	
	<i>Cylinder is adjustable size 2-5</i>	



Individual Cylinder Parts

Individual cylinder parts for 4822-3071		
4822-3971	Cylinder Only	F, S
	<i>Does not include any other components</i>	
	<i>Cylinder is adjustable size 2-5</i>	
4820-18	Mounting Plate	F
4820-18G	Mounting Plate	F
4820-159	Arm Screw	F
4820-182	Stand-off	F

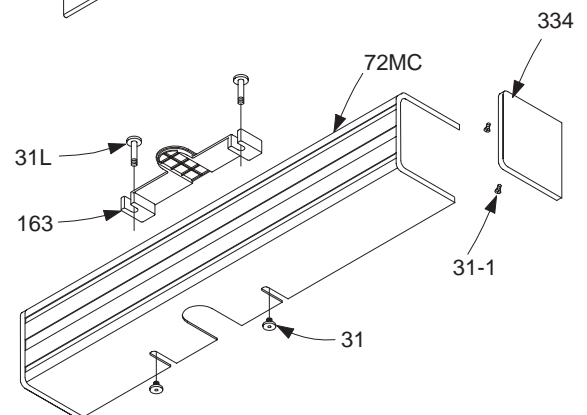
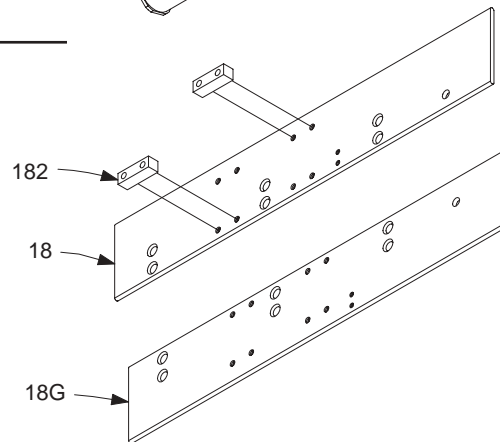


Cover

4820-72MC	Metal Cover	F
	<i>Includes 4820-31(2), -31-1(4), -31L(2), -163, & -334(2)</i>	

Individual Cover Parts

Individual cover parts for 4820-72MC		
4820-31	Cover Screw	F
4820-31-1	End Cap Screw	F
4820-31L	Long Cover Screw	F
4820-163	Cover Plate	F
	<i>Includes 4820-31L(2)</i>	
4820-334	End Cap	F
	<i>Includes 4820-31-1(2)</i>	



Please specify finish (F), size (S), hand (H), & voltage (V) where indicated. See the latest edition of the LCN Catalog for part descriptions and specifications on many of the items shown above. List prices for items shown above can be located in the current LCN Price List.