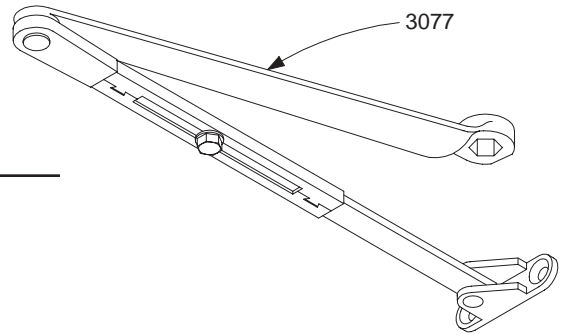


# LCN 4820 SERIES "Auto-Equalizer"

## Complete Arm Assemblies

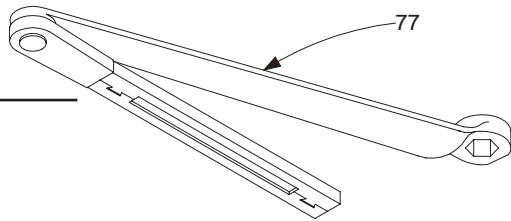
|            |   |   |
|------------|---|---|
| 4820-3077  | Regular Arm                                     | F |
|            | <i>Includes 4820-77, -83, -79, &amp; -159</i>   |   |
| 4820-3077L | Long Arm  | F |
|            | <i>Includes 4820-77, -83, -79LR, &amp; -159</i> |   |



## Individual Arm Parts

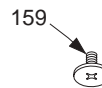
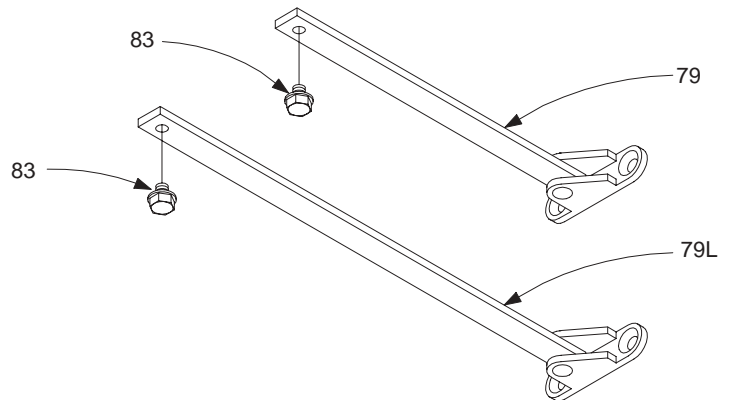
Individual arm parts for 4820-3077 & -3077L

|           |  |   |
|-----------|--|---|
| 4820-77   | Arm & Forearm                                      | F |
|           | <i>Includes 4820-159</i>                           |   |
| 4820-79   | Rod & Shoe   | F |
|           | <i>Includes 4820-83/ Length is 8 5/16" (211mm)</i> |   |
| 4820-79LR | Long Rod & Shoe                                    | F |
|           | <i>Includes 4820-83/ Length is 12 3/8" (314mm)</i> |   |
| 4820-83   | Arm Screw  | F |
| 4820-159  | Arm Screw  | F |



## Installations Accessories

|            |   |
|------------|---|
| 4820-155-1 | AE Door Decal<br><i>(Black/ Yellow Caution decal)</i> |
| 4820-155-2 | Door Decal<br><i>(Blue/White Switch decal)</i>        |



155-1



155-2

Please specify finish (F), size (S), hand (H), & voltage (V) where indicated. See the latest edition of the LCN Catalog for part descriptions and specifications on many of the items shown above. List prices for items shown above can be located in the current LCN Price List.