

LCN 4810 SERIES "Auto-Equalizer"

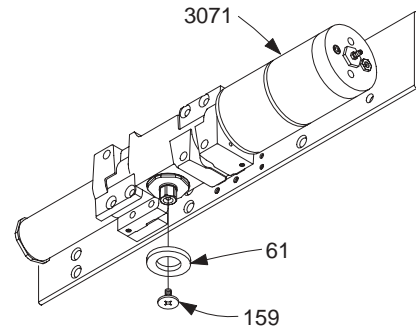
Cylinder Assemblies

4811-3071	Cylinder Assembly	F, S
	<i>Includes 4811-3971, 4810-18, & -182(2)</i>	
	<i>Cylinder is adjustable size 1-4</i>	

Individual Cylinder Parts

Individual cylinder parts for 4811-3071

4811-3971	Cylinder Only	F, S
	<i>Does not include any other components</i>	
	<i>Cylinder is adjustable size 1-4</i>	
4810-18	Mounting Plate	F
4810-61	Shaft Spacer	F
4810-159	Arm Screw	F
4810-182	Stand-off	F



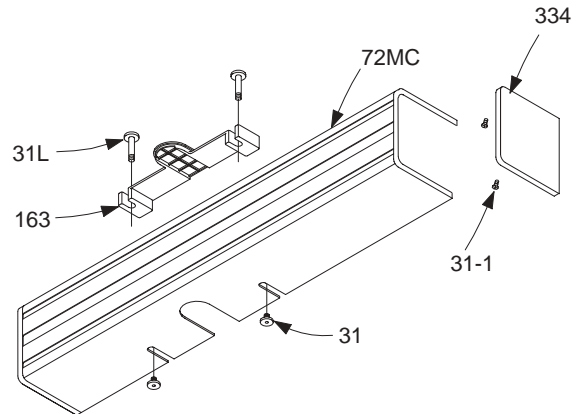
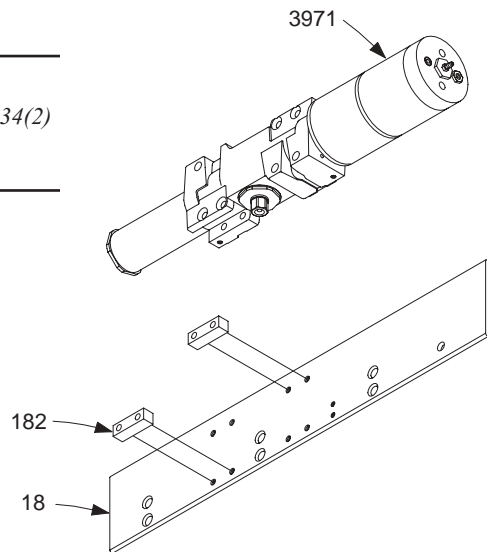
Cover

4810-72MC	Metal Cover	F
	<i>Includes 4810-31(2), -31-1(4), -31L(2), -163, & -334(2)</i>	

Individual Cover Parts

Individual cover parts for 4810-72MC

4810-31	Cover Screw	F
4810-31-1	End Cap Screw	F
4810-31L	Long Cover Screw	F
4810-334	End Cap	F
	<i>Includes 4810-31-1 (2)</i>	
4810-163	Cover Plate	F
	<i>Includes 4810-31L(2)</i>	



Please specify finish (F), size (S), hand (H), & voltage (V) where indicated. See the latest edition of the LCN Catalog for part descriptions and specifications on many of the items shown above. List prices for items shown above can be located in the current LCN Price List.