

# LCN 4210 SERIES

## Cylinder Assemblies

4211(2-6)-3071	Cylinder Assembly	F, S, H
	<i>Includes TORX screw pack</i>	
	<i>Size '1' cylinder is adjustable from size 1-5</i>	
4211(2-6)-3071AVB	Cylinder Assembly w/AVB	F, S, H
	<i>Includes TORX screw pack</i>	
	<i>Size '1' cylinder is adjustable from size 1-5</i>	
4211(2-4)-3071DEL	Cylinder Assembly w/Delay	F, S, H
	<i>Includes TORX screw pack</i>	
	<i>Size '1' cylinder is adjustable from size 1-4</i>	

## Individual Cylinder Parts

Individual cylinder parts for 4210-3071

4210-159	Arm Screw	F
	<i>Requires TORX bit (T-27)</i>	

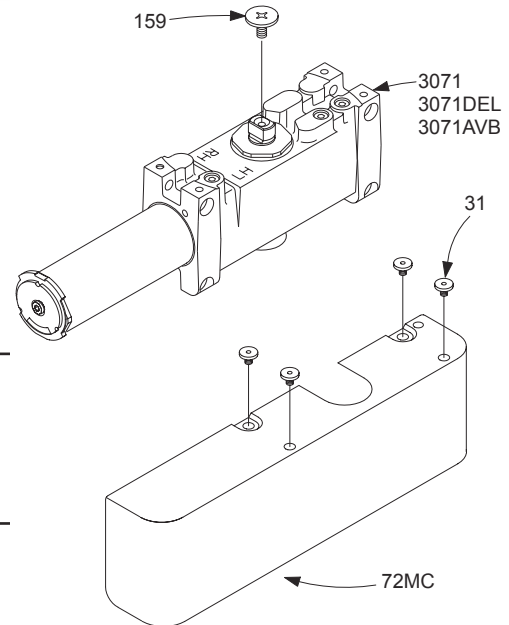
## Covers

4210-72MC	Metal Cover	F, H
	<i>Includes 4210-31 (4)</i>	

## Individual Cover Parts

Individual cover parts for 4210-72MC

4210-31	Cover Screw	F
	<i>Requires TORX bit (T-25)</i>	



Please specify finish (**F**), size (**S**), hand (**H**), & voltage (**V**) where indicated. See the latest edition of the LCN Catalog for part descriptions and specifications on many of the items shown above. List prices for items shown above can be located in the current LCN Price List.