

LCN 4110 SERIES

Cylinder Assemblies

4111(2-6)-3071	Cylinder Assembly	F, S, H
	<i>Includes screw pack (SRT standard – please specify other)</i>	
	<i>Size '1' cylinder is adjustable from size 1-5</i>	
4111(2-6)-3071AVB	Cylinder Assembly w/AVB	F, S, H
	<i>Includes screw pack (SRT standard – please specify other)</i>	
	<i>Size '1' cylinder is adjustable from size 1-5</i>	
4111(2-5)-3071DEL	Cylinder Assembly w/Delay	F, S, H
	<i>Includes screw pack (SRT standard – please specify other)</i>	
	<i>Size '1' cylinder is adjustable from size 1-4</i>	
4111(2-6)-3071TEL	Cylinder Assembly w/TEL	F, S, H
	<i>Includes screw pack (SRT standard – please specify other)</i>	
	<i>Size '1' cylinder is adjustable from size 1-5</i>	

Individual Cylinder Parts

Individual cylinder parts for 4110-3071

4110-159	Arm Screw	F
----------	-----------	---

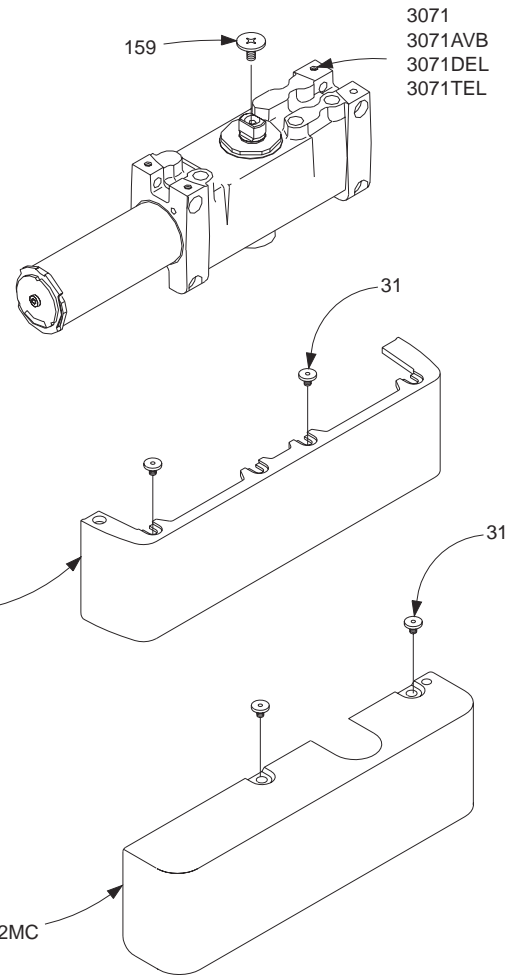
Covers

4110-72	Standard Cover	F
	<i>Includes 4110-31 (2)</i>	
4110-72LL	Lead Lined Cover	F
	<i>Includes 4110-31 (2)</i>	
4110-72MC	Metal Cover	F, H
	<i>Includes 4110-31 (2)</i>	

Individual Cover Parts

Individual cover parts for 4110-72, -72LL, & -72MC

4110-31	Cover Screw	F
---------	-------------	---



Please specify finish (**F**), size (**S**), hand (**H**), & voltage (**V**) where indicated. See the latest edition of the LCN Catalog for part descriptions and specifications on many of the items shown above. List prices for items shown above can be located in the current LCN Price List.