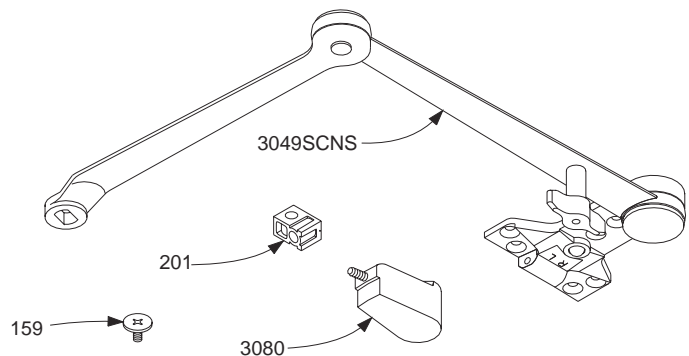
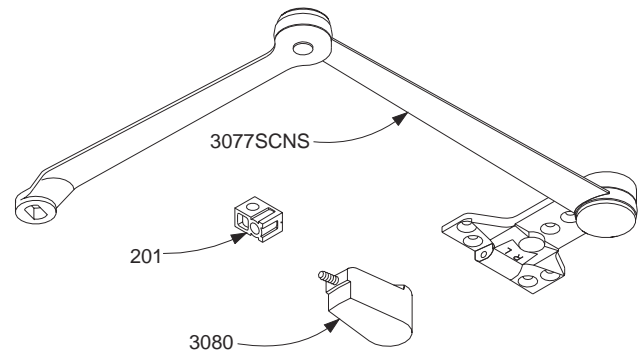
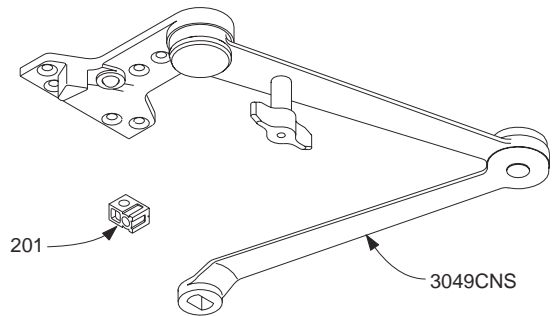
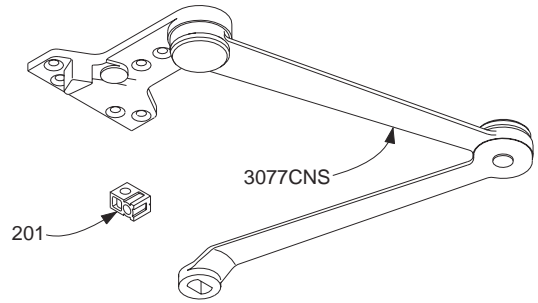


LCN4110 SERIES

Complete Arm Assemblies

4110-3077CNS	Cush-n-Stop Arm <i>Includes 4110 -159, & -201</i>	F, H
4110-3049CNS	Hold-Open Cush-n-Stop Arm <i>Includes 4110 -159, & -201</i>	F, H
4110-3077SCNS	Spring Cush-n-Stop Arm <i>Includes 4110 -159, -201, & -3080</i>	F
4110-3049SCNS	HO Spring Cush-n-Stop Arm <i>Includes 4110-159, -201, & -3080</i>	F



Individual Arm Parts

Individual arm parts for 4110-3077CNS, -3049CNS, -3077SCNS, & -3049SCNS

4110-159	Arm Screw	F
4110-201	Fifth Screw Spacer	F
4110-3080	Spring Cush Block	F

Please specify finish (**F**), size (**S**), hand (**H**), & voltage (**V**) where indicated. See the latest edition of the LCN Catalog for part descriptions and specifications on many of the items shown above. List prices for items shown above can be located in the current LCN Price List.