

LCN 4110 SERIES

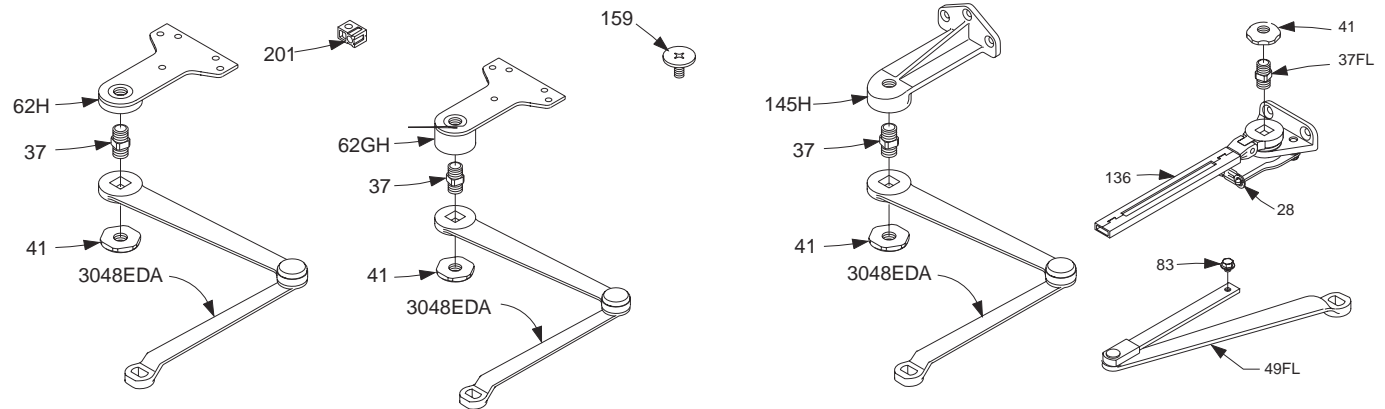
Complete Arm Assemblies

4110-3049/EDA	Hold-Open Extra Duty Arm	F, H
	<i>Includes 4110 -37, -41, -62H, -159, -201, & -3048EDA</i>	
4110-3049EDA/62G	HO Extra Duty Arm w/62G	F, H
	<i>Includes 4110 -37, -41, -62GH, -159, -201, & -3048EDA</i>	
4110-3049EDA/145	HO Extra Duty Arm w/145	F, H
	<i>Includes 4110 -37, -41, -145H, -159, & -3048EDA</i>	
4110-3049FL	Fusible Link Arm	F, H
	<i>Includes 4110 -49FL, -62FL, -83, -136, -159, & -201</i>	

Individual Arm Parts

Individual arm parts for 4110-3049EDA, -3049EDA/62G, -3049EDA/145, & -3049FL

4010-28	Fusible Link	
	(Release temperature 165°F standard: 135°F optional)	
4010-37	Hold-Open Stud	F, H
4010-37FL	Hold-Open Stud	F, H
4110-41	Hold-Open Nut	F
4110-49FL	Fusible Link Main Arm & Rod	F, H
	<i>Includes 4110-83, -159</i>	
4110-62FL	Fusible Link Parallel Arm Shoe	F
	<i>Includes 4110-201</i>	
4110-62H	Hold-Open Shoe	F, H
	<i>Includes 4110-201</i>	
4110-62GH	Hold-Open Thick Hub Shoe	F, H
	<i>Includes 4110-201</i>	
4110-83	Arm Screw	F
4110-136	Fusible Link Forearm Assembly	F, H
	<i>Includes 4110-28, -37FL & -41</i>	
4110-145H	HO Flush Transom Shoe	F, H
4110-159	Arm Screw	F
4010-201	Fifth Screw Spacer	
4110-3048EDA	HEDA Main Arm & Forearm	F
	<i>Includes 4110-159</i>	



Please specify finish (F), size (S), hand (H), & voltage (V) where indicated. See the latest edition of the LCN Catalog for part descriptions and specifications on many of the items shown above. List prices for items shown above can be located in the current LCN Price List.