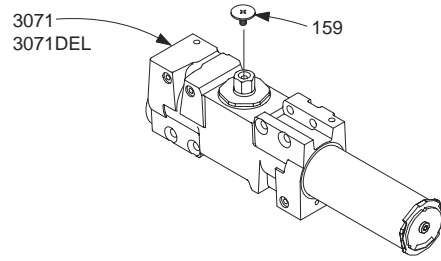


LCN 4040 SERIES

Cylinder Assemblies

4041-3071	Cylinder Assembly	F
	<i>Includes screw pack (SRT standard – please specify other)</i>	
	<i>Size '1' cylinder is adjustable from size 1-6</i>	
4041-3071DEL	Cylinder Assembly w/Delay	F
	<i>Includes screw pack (SRT standard – please specify other)</i>	
	<i>Size '1' cylinder is adjustable from size 1-6</i>	



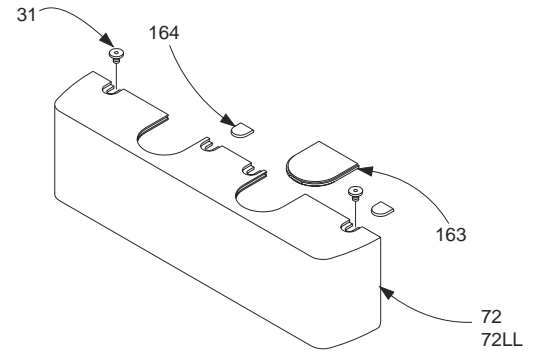
Individual Cylinder Parts

Individual cylinder parts for 4040-3071

4040-159	Arm Screw	F
----------	-----------	---

Covers

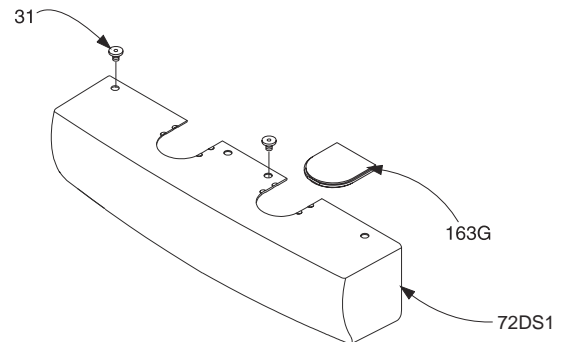
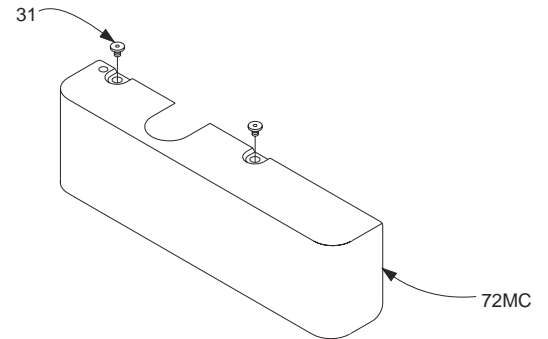
4040-72	Standard Cover	F
	<i>Includes 4040-31 (2), -163, & -164 (2)</i>	
4040-72LL	Lead Lined Cover	F
	<i>Includes 4040-31 (2), -163, & -164 (2)</i>	
4040-72MC	Metal Cover	F, H
	<i>Includes 4040-31 (2)</i>	
4040-72DS1	Designer Series Metal Cover	F
	<i>Includes 4040-31 (2), -163G</i>	



Individual Cover Parts

Individual cover parts for 4040-72, -72DS1, -72LL, & -72MC

4040-31	Cover Screw	F
4040-163	Arm Insert	F
4040-163G	Arm Insert (DS1)	F
4040-164	Screw Insert	F



Please specify finish (F), size (S), hand (H), & voltage (V) where indicated. See the latest edition of the LCN Catalog for part descriptions and specifications on many of the items shown above. List prices for items shown above can be located in the current LCN Price List.