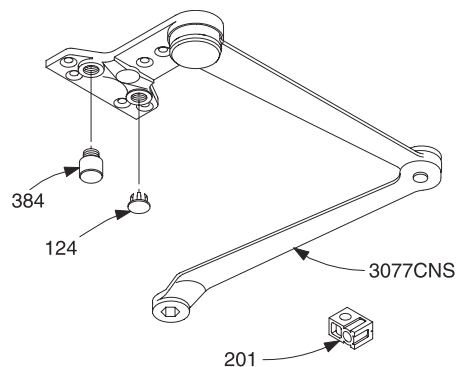


LCN 4040 SERIES

Complete Arm Assemblies

4040-3077CNS	Cush-n-Stop Arm	F
	<i>Includes 4040-124, -159, -201, & -384</i>	
4040-3049CNS	Hold-Open Cush-n-Stop Arm	F
	<i>Includes 4040-124, -159, -201, & -384</i>	



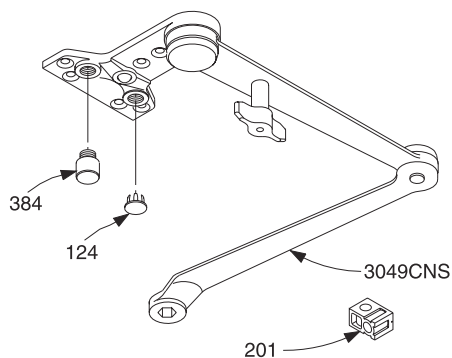
Individual Arm Parts

Individual arm parts for 4040-3077CNS & -3049CNS

4040-124	Plug	F
4040-159	Arm Screw	F
4040-201	Fifth Screw Spacer	F
4040-384	Stop	F

Complete Arm Assemblies

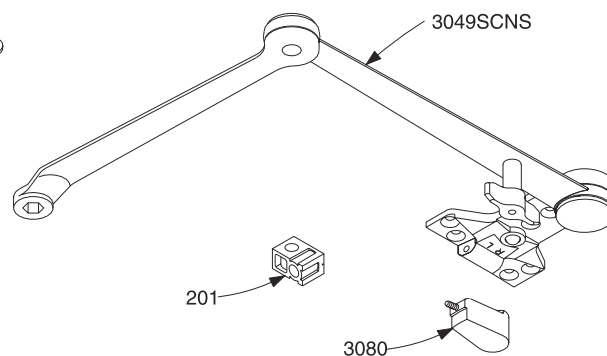
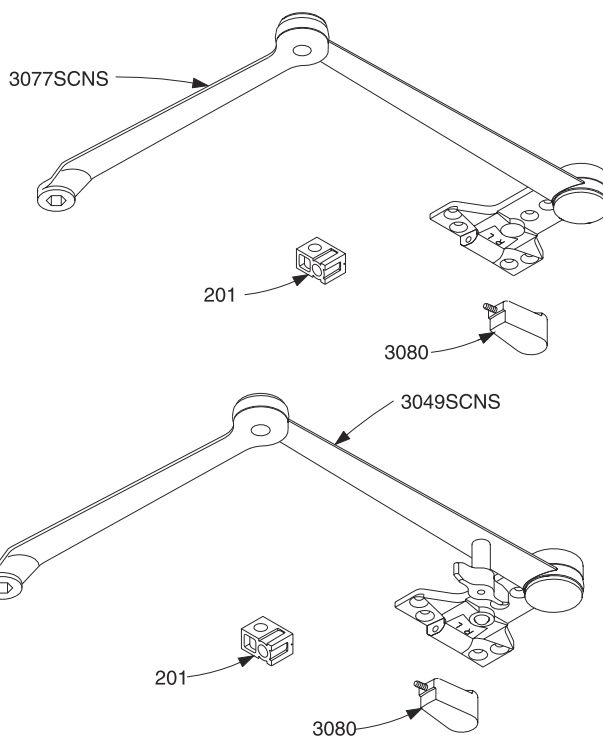
4040-3077SCNS	Spring Cush-n-Stop Arm	F
	<i>Includes 4040 -159, -201, & -3080</i>	
4040-3049SCNS	HO Spring Cush-n-Stop Arm	F
	<i>Includes 4040-159, -201, & -3080</i>	



Individual Arm Parts

Individual arm parts for 4040-3077SCNS, & -3049SCNS

4040-159	Arm Screw	F
4040-201	Fifth Screw Spacer	F
4040-3080	Spring Cush Block	F
	<i>Includes 5/32" hex installation wrench</i>	



Please specify finish (F), size (S), hand (H), & voltage (V) where indicated. See the latest edition of the LCN Catalog for part descriptions and specifications on many of the items shown above. List prices for items shown above can be located in the current LCN Price List.