

# LCN 4040 SERIES

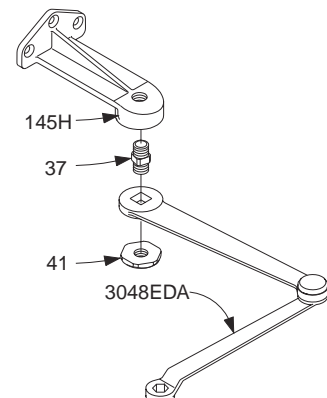
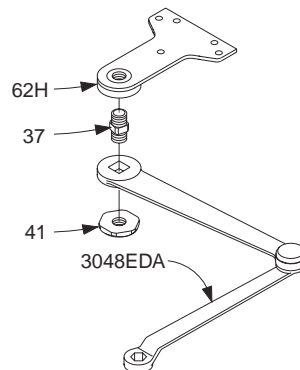
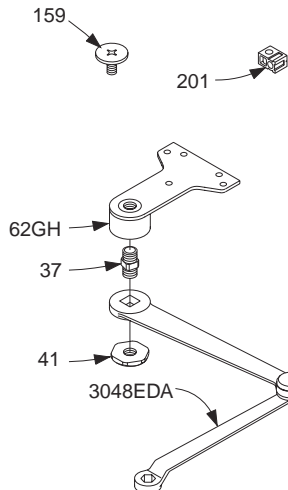
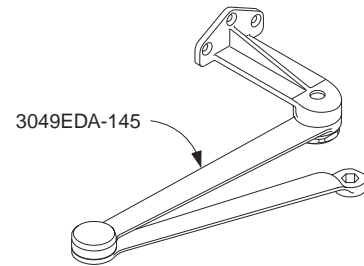
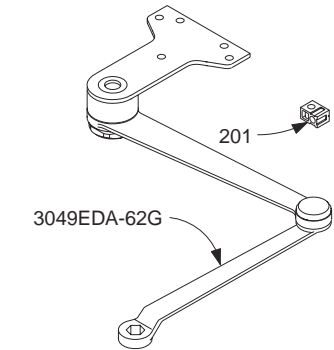
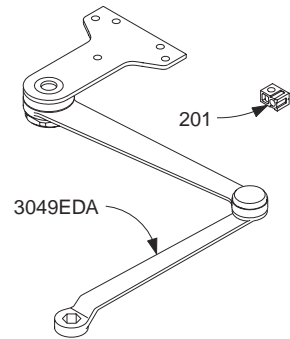
## Complete Arm Assemblies

4040-3049EDA	Hold-Open Extra Duty Arm	F, H
	<i>Includes 4040-37, -41, -62H, -159, -201, &amp; -3048EDA</i>	
4040-3049EDA/62G	HO Extra Duty Arm w/62G	F, H
	<i>Includes 4040-37, -41, -62GH, -159, -201, &amp; -3048EDA</i>	
4040-3049EDA/145	HO Extra Duty Arm w/145	F, H
	<i>Includes 4040-37, -41, -145H, -159, &amp; -3048EDA</i>	

## Individual Arm Parts

Individual arm parts for 4040-3049EDA, -3049EDA/G, & -3049EDA/145

4040-37	Hold-Open Stud	F, H
4040-41	Hold-Open Nut	F
4040-62H	Hold-Open Shoe	F, H
	<i>Includes 4040-201</i>	
4040-62GH	Hold-Open Thick Hub Shoe	F, H
	<i>Includes 4040-201</i>	
4040-145H	HO Flush Transom Shoe	F, H
4040-159	Arm Screw	F
4040-201	Fifth Screw Spacer	
4040-3048EDA	HEDA Main Arm & Forearm	F
	<i>Includes 4040-159</i>	



Please specify finish (F), size (S), hand (H), & voltage (V) where indicated. See the latest edition of the LCN Catalog for part descriptions and specifications on many of the items shown above. List prices for items shown above can be located in the current LCN Price List.