

# LCN 4040 SERIES

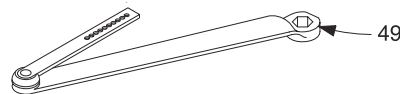
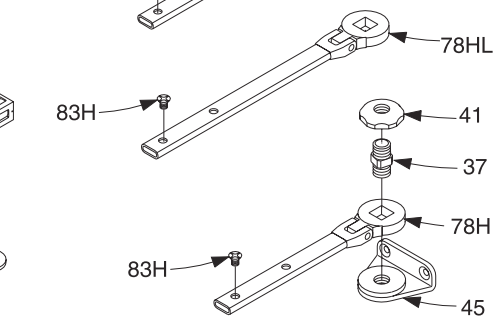
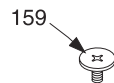
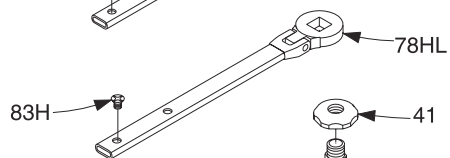
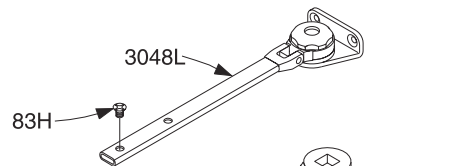
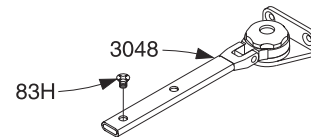
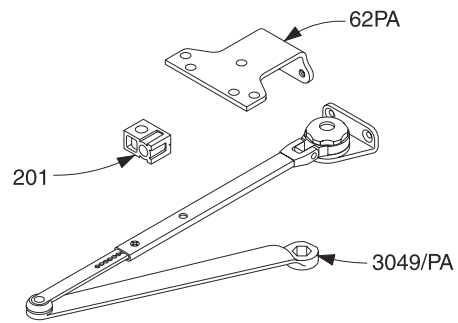
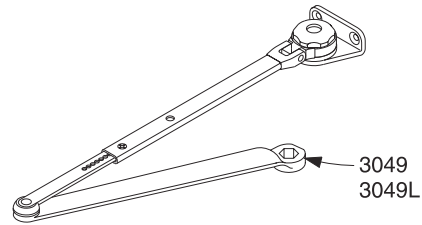
## Complete Arm Assemblies

4040-3049	Hold-Open Arm	F
	<i>Includes 4040-49, -83H, -159, &amp; -3048</i>	
4040-3049L	Hold-Open Long Arm	F
	<i>Includes 4040-49, -83H, -159, &amp; -3048L</i>	
4040-3049/PA	Hold-Open Arm w/PA	F
	<i>Includes 4040-49, -62PA, -83H, -159, -201, &amp; -3048</i>	

## Individual Arm Parts

Individual arm parts for 4040-3049, -3049L, & -3049/PA

4040-37	Hold-Open Stud	F
4040-41	Hold-Open Nut	F
4040-45	Hold-Open Shoe	F
4040-49	Hold-Open Main Arm & Rod	F
	<i>Includes 4040-159</i>	
4040-62A	Auxiliary Parallel Arm Shoe	F
4040-62PA	Parallel Arm Shoe	F
	<i>Includes 4040-201</i>	
4040-78H	HO Head & Tube	F
	<i>Includes 4040-83 / Length is 5 3/4" (146mm)</i>	
4040-78HL	HO Head & Long Tube	F
	<i>Includes 4040-83 / Length is 8 5/8" (219mm)</i>	
4040-83H	H Arm Screw	F
4040-159	Arm Screw	F
4040-201	Fifth Screw Spacer	
4040-3048	HO Head & Tube Assembly	F
	<i>Includes 4040-37, -41, -45, -78H, &amp; -83H</i> <i>Length is 5 3/4" (146mm)</i>	
4040-3048L	HO Head & Long Tube Assy	F
	<i>Includes 4040-37, -41, -45, -78HL, &amp; -83H</i> <i>Length is 8 5/8" (219mm)</i>	



Please specify finish (F), size (S), hand (H), & voltage (V) where indicated. See the latest edition of the LCN Catalog for part descriptions and specifications on many of the items shown above. List prices for items shown above can be located in the current LCN Price List.