

# LCN 4040T SERIES

## Cylinder Assemblies

4041T-3071	Cylinder Assembly	F
	<i>Includes screw pack (SRT is standard – please specify other)</i>	
	<i>Cylinder assembly is adjustable from size 1-4</i>	

## Individual Cylinder Parts

Individual cylinder parts for 4040T-3071

4040-159	Arm Screw	F
----------	-----------	---

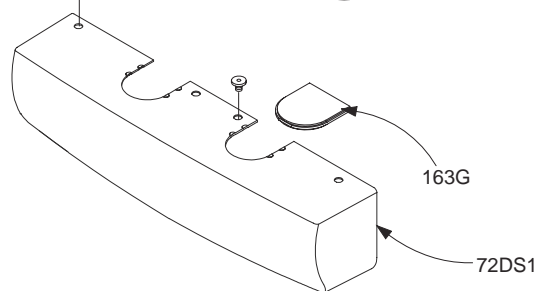
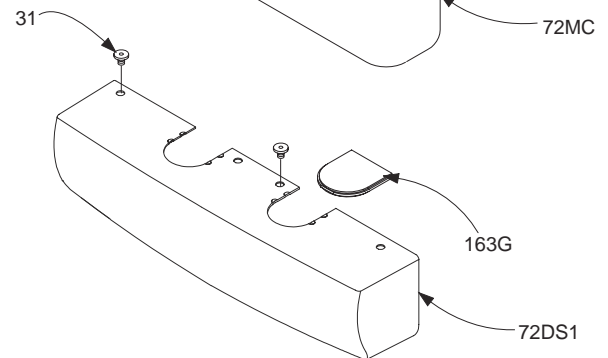
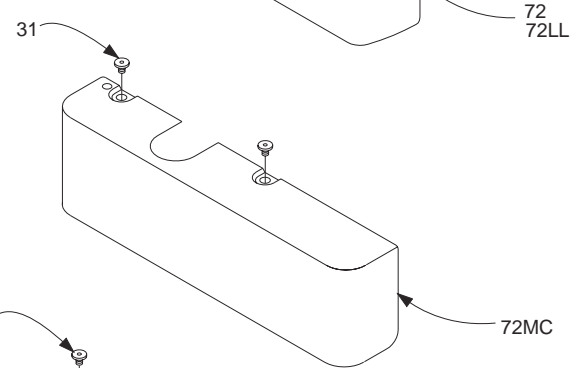
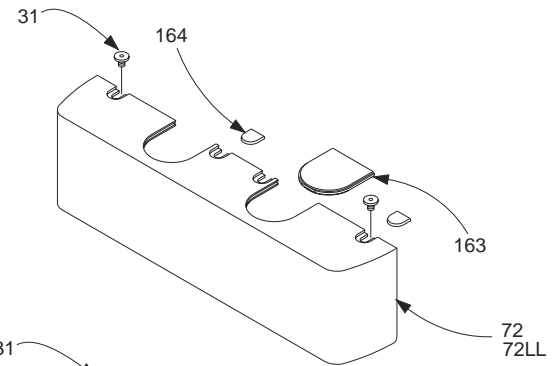
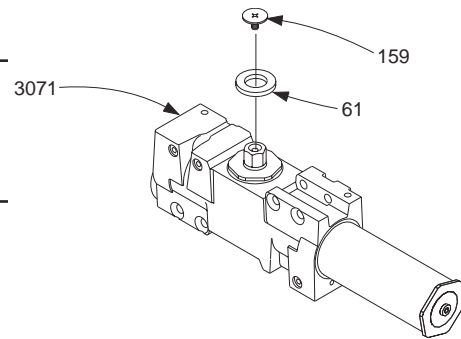
## Covers

4040T-72	Standard Cover	F
	<i>Includes 4040T-31 (2), -163, &amp; -164 (2)</i>	
4040T-72LL	Lead Lined Cover	F
	<i>Includes 4040T-31 (2), -163, &amp; -164 (2)</i>	
4040T-72MC	Metal Cover	F, H
	<i>Includes 4040T-31 (2)</i>	
4040T-72DS1	Designer Series Metal Cover	F
	<i>Includes 4040T-31 (2), -163G</i>	

## Individual Cover Parts

Individual cover parts for 4040T-72, -72DS1, -72LL, & -72MC

4040T-31	Cover Screw	F
4040T-61	Shaft Spacer	
4040T-163	Arm Insert	F
4040T-163G	Arm Insert (DS1)	F
4040T-164	Screw Insert	F



Please specify finish (F), size (S), hand (H), & voltage (V) where indicated. See the latest edition of the LCN Catalog for part descriptions and specifications on many of the items shown above. List prices for items shown above can be located in the current LCN Price List.