

LCN 4040SE SERIES

Track Assemblies

4040SE-3038	Standard Track	F, V
	<i>Includes 4040SE-59A, -60 (3), -73 (2), -141 (2), -141-1 (4), 141-2 (3), -168, -3034 & -3436</i>	
	<i>Length is 22 3/4" (578mm)</i>	
4040SE-3038L	Long Track	F, V
	<i>Includes 4040SE-59A, -60 (3), -73 (2), -141 (2), -141-1 (4), -141-2 (3), -168, -3034 & -3436</i>	
	<i>Length is 25 3/4" (654mm)</i>	

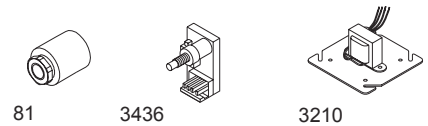
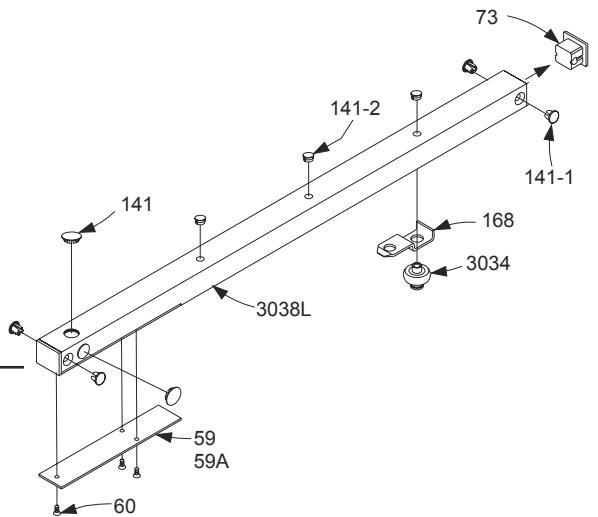
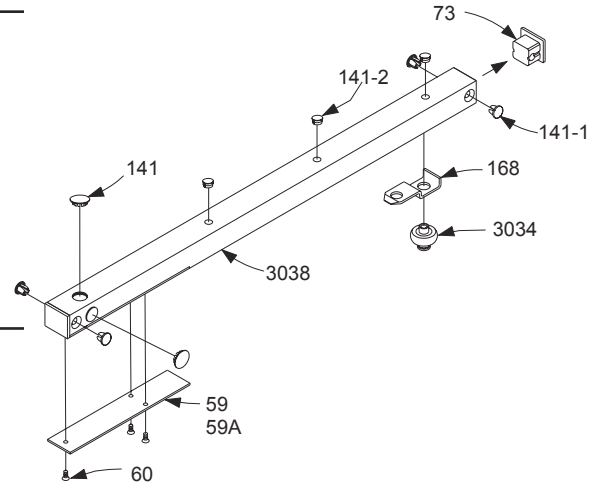
Individual Track Parts

Individual track parts for 4040SE-3038 & 4040SE-3038L

4040SE-59	Cover Plate	F
	<i>Use for products manufactured prior to 11/2003</i>	
	<i>Includes 4040SE-60 (3)</i>	
4040SE-59A	Cover Plate	F
	<i>Use for products manufactured 11/2003 or after</i>	
	<i>Includes 4040SE-60 (3)</i>	
4040SE-60	Cover Plate Screw	F
4040SE-73	End Cap	
4040SE-141	Conduit Plug	F
4040SE-141-1	Track Plug	F
4040SE-141-2	Track Plug	F
4040SE-159	Arm Screw	F
4040SE-168	Track Slider	
4040SE-3034	Track Roller	

Installation Accessories

4040SE-81	Connector with ring	
4040SE-3210	Transformer	V
4040SE-3436	SE On/Off Switch	



Please specify finish (F), size (S), hand (H), & voltage (V) where indicated. See the latest edition of the LCN Catalog for part descriptions and specifications on many of the items shown above. List prices for items shown above can be located in the current LCN Price List.