

# LCN 4040SE SERIES

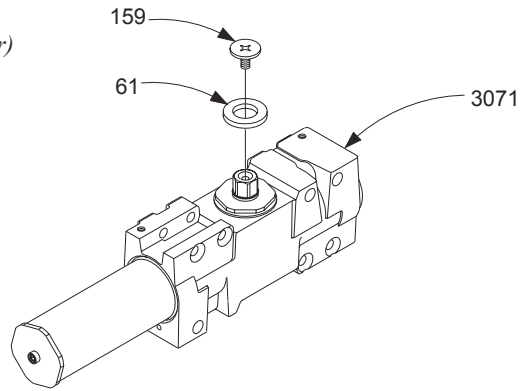
## Cylinder Assemblies

4040SE-3071	Cylinder Assembly	F
	<i>Includes screw pack (WMS standard – please specify other)</i>	
	<i>Cylinder assembly is adjustable for sizes 3 and 4</i>	

## Individual Cylinder Parts

Individual cylinder parts for 4040SE-3071

4040SE-61	Shaft Spacer	
4040SE-159	Arm Screw	F



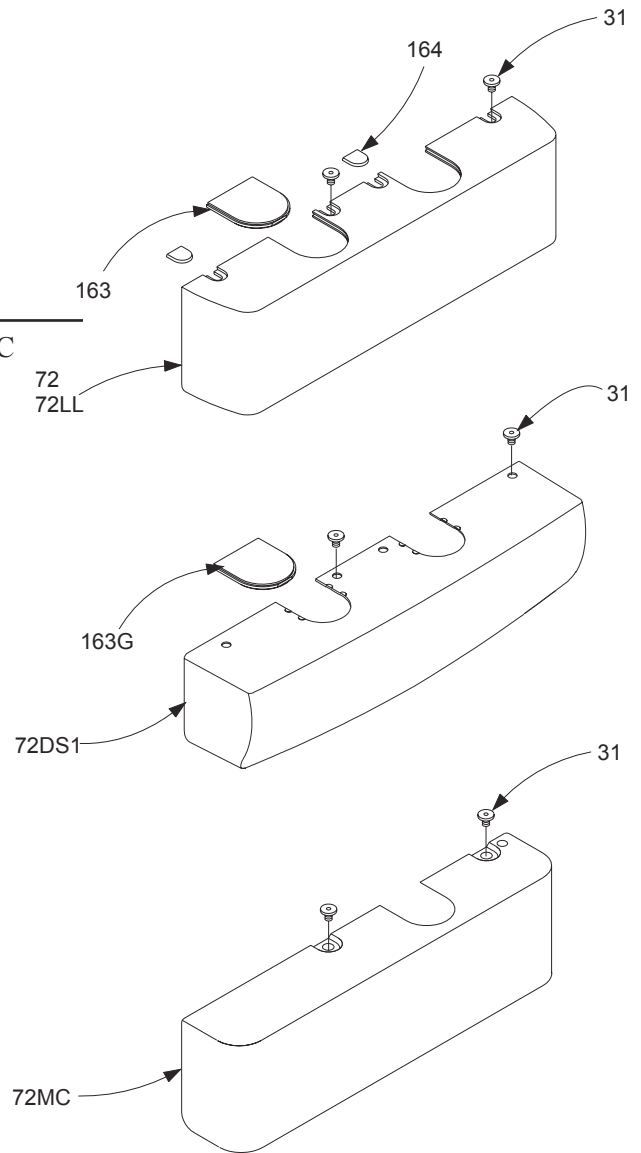
## Covers

4040SE-72	Standard Cover	F
	<i>Includes 4040SE-31 (2), -163, &amp; -164 (2)</i>	
4040SE-72LL	Lead Lined Cover	F
	<i>Includes 4040SE-31 (2), -163, &amp; -164 (2)</i>	
4040SE-72DS1	Designer Series Metal Cover	F
	<i>Includes 4040SE-31 (2), -163G</i>	
4040SE-72MC	Metal Cover	F, H
	<i>Includes 4040SE-31 (2)</i>	

## Individual Cover Parts

Individual cover parts for 4040SE-72, -72DS1, -72LL, & -72MC

4040SE-31	Cover Screw	F
4040SE-163	Arm Insert	F
4040SE-163G	Arm Insert (DS1)	F
4040SE-164	Screw Insert	F



Please specify finish (F), size (S), hand (H), & voltage (V) where indicated. See the latest edition of the LCN Catalog for part descriptions and specifications on many of the items shown above. List prices for items shown above can be located in the current LCN Price List.