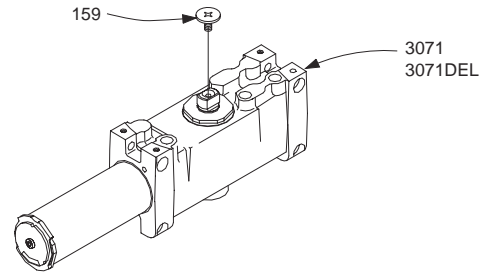


LCN 4020 SERIES

Cylinder Assemblies

4021(2-6)-3071	Cylinder Assembly	F, S, H
	<i>Includes screw pack (SRT standard – please specify other)</i>	
	<i>Size '1' cylinder is adjustable for sizes 1-5</i>	
4021(2-5)-3071DEL	Cylinder Assembly w/Delay	F, S, H
	<i>Includes screw pack (SRT standard – please specify other)</i>	
	<i>Size '1' cylinder is adjustable for sizes 1-5</i>	
4021-3071TEL	Cylinder Assembly w/TEL	F, S, H
	<i>Includes screw pack (SRT standard – please specify other)</i>	



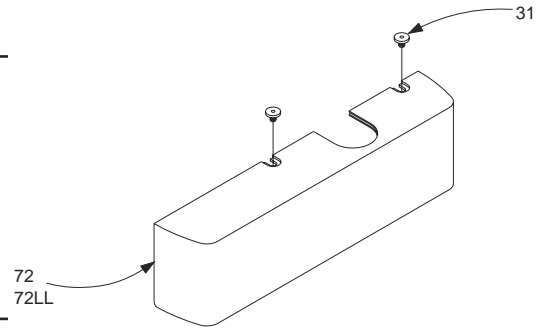
Individual Cylinder Parts

Individual cylinder parts for 4020-3071

4020-159	Arm Screw	F
----------	-----------	---

Covers

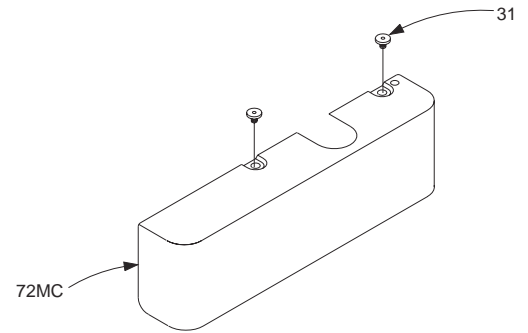
4020-72	Standard Cover	F, H
	<i>Includes 4020-31 (2)</i>	
4020-72LL	Lead Lined Cover	F, H
	<i>Includes 4020-31 (2)</i>	
4020-72MC	Metal Cover	F, H
	<i>Includes 4020-31 (2)</i>	



Individual Cover Parts

Individual cover parts for 4010-72, -72LL, & -72MC

4020-31	Cover Screw	F
---------	-------------	---



Please specify finish (**F**), size (**S**), hand (**H**), & voltage (**V**) where indicated. See the latest edition of the LCN Catalog for part descriptions and specifications on many of the items shown above. List prices for items shown above can be located in the current LCN Price List.