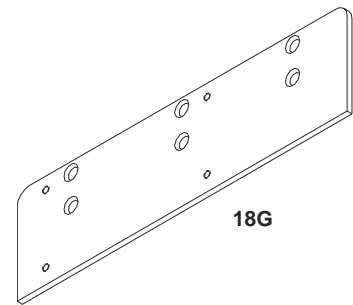
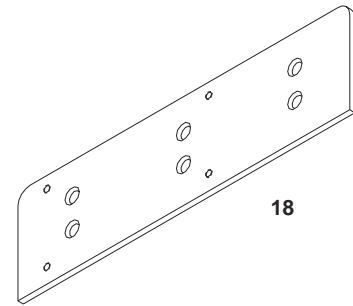


LCN 4020 SERIES

Mounting Plates

4020-18	Mounting Plate	F
4020-18G	Mounting Plate	F



Please specify finish (**F**), size (**S**), hand (**H**), & voltage (**V**) where indicated. See the latest edition of the LCN Catalog for part descriptions and specifications on many of the items shown above. List prices for items shown above can be located in the current LCN Price List.