

# LCN 4020 SERIES

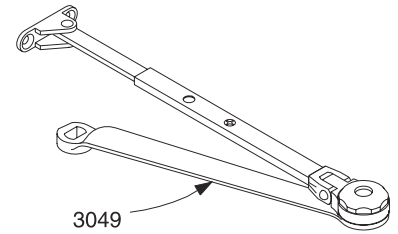
## Complete Arm Assemblies

|             |  |      |
|-------------|--|------|
| 4020-3049   | Hold-Open Arm  | F, H |
|             | <i>Includes 4020-37, -41, -48, -49, -79H, -83H, &amp; -159</i> |      |
| 4020-3049FL | Fusible Link Arm   | F, H |
|             | <i>Includes 4020-49FL, -83, -136, &amp; -159</i>               |      |

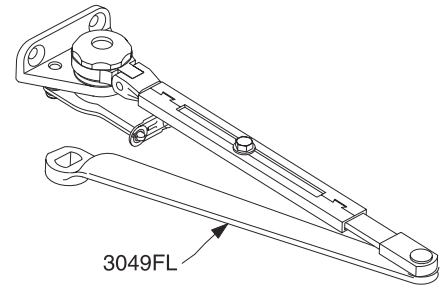
## Individual Arm Parts

Individual arm parts for 4020-3049, & 3049FL

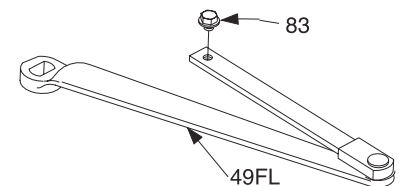
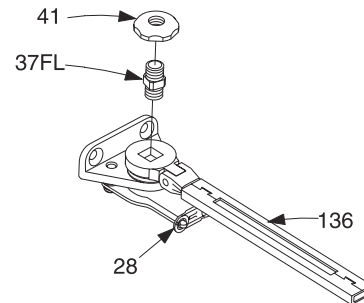
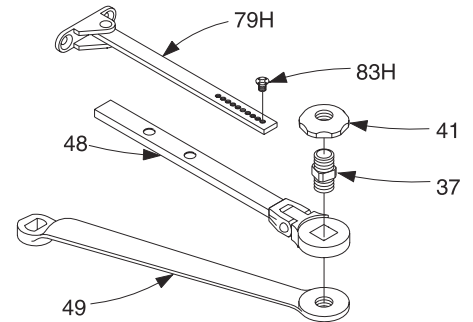
|           |   |      |
|-----------|---|------|
| 4020-28   | Fusible Link  |      |
|           | <i>(Release temperature 165° F standard: 135° F optional)</i> |      |
| 4020-37   | Hold-Open Stud  | F, H |
| 4020-37FL | Fusible Link Hold-Open Stud                                   | F, H |
| 4020-41   | Hold-Open Nut   | F    |
| 4020-48   | Hold-Open Forearm   | F    |
| 4020-49   | Hold-Open Main Arm  | F, H |
|           | <i>Includes 4020-159</i>                                      |      |
| 4020-49FL | Fusible Link HO Main Arm                                      | F    |
|           | <i>Includes 4020-83 &amp; -159</i>                            |      |
| 4020-79H  | Hold-Open Rod & Shoe  | F    |
|           | <i>Includes 4020-83H</i>                                      |      |
| 4020-83   | Arm Screw   | F    |
| 4020-83H  | H Arm Screw   | F    |
| 4020-136  | FL Forearm  | F, H |
|           | <i>Includes 4020-28, -37FL &amp; -41</i>                      |      |
| 4020-159  | Arm Screw   | F    |



3049



3049FL



Please specify finish (**F**), size (**S**), hand (**H**), & voltage (**V**) where indicated. See the latest edition of the LCN Catalog for part descriptions and specifications on many of the items shown above. List prices for items shown above can be located in the current LCN Price List.