

LCN 4010T SERIES "SMOOTHEE"

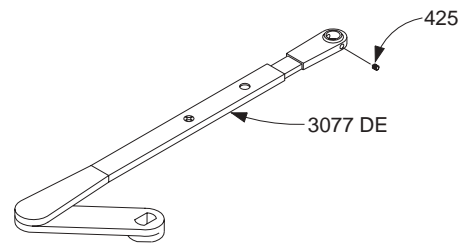
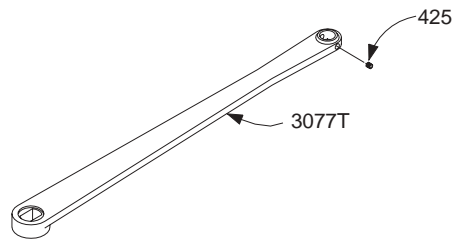
Complete Arm Assemblies

4010T-3077T	Standard Arm	F, H
	<i>Includes 4010T-159, & -425</i>	
4010T-3077TDE	Double Egress Arm	F, H
	<i>Includes 4010T-159, -83H & -425</i>	

Individual Arm Parts

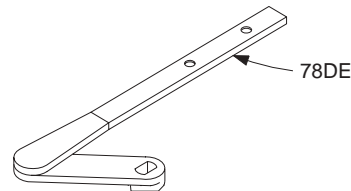
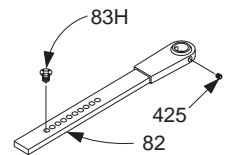
Individual arm parts for 4010T-3077T & -3077DE

4010T-78DE	Main Arm & Tube	F, H
	<i>Includes 4010T-159</i>	
4010T-82	Rod	F
	<i>Includes 4010T-83H, & -425</i>	
4010T-83H	H Arm Screw	F
4010T-159	Arm Screw	F
4010T-425	Roller Locking Screw	
4010T-3034	Track Roller	



Complete Track Assemblies

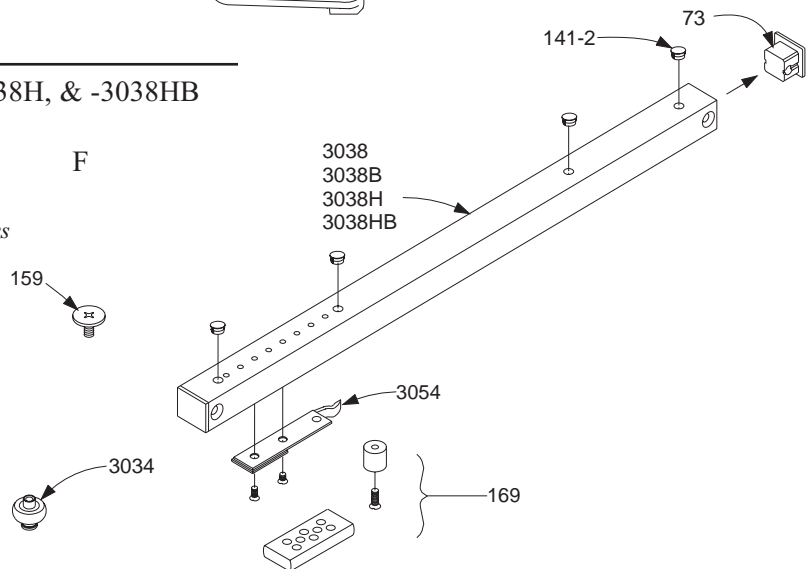
4010T-3038	Standard Track	F
	<i>Includes 4010T-73 (2), & -141-2 (4)</i>	
4010T-3038B	Standard Track w/Bumper	F
	<i>Includes 4010T-73 (2), -141-2 (4), & -169</i>	
4010T-3038H	Standard Track w/Hold-Open	F
	<i>Includes 4010T-73 (2), -141-2 (4), & -3054</i>	
4010T-3038HB	Standard Track w/Bump & HO	F
	<i>Includes 4010T-73 (2), -141-2 (4), -169, & -3054</i>	



Individual Track Parts

Individual track parts for 4010T-3038, -3038B, 3038H, & -3038HB

4010T-73	End Cap	
4010T-141-2	Track Plug	F
4010T-169	Bumper Assembly	
	<i>Includes post & mounting screws</i>	
4010T-3034	Track Roller	
4010T-3054	Hold-Open Spring Clip	
	<i>Includes mounting screws</i>	



Please specify finish (F), size (S), hand (H), & voltage (V) where indicated. See the latest edition of the LCN Catalog for part descriptions and specifications on many of the items shown above. List prices for items shown above can be located in the current LCN Price List.