

LCN 4010 SERIES

Cylinder Assemblies

4011(2-6)-3071	Cylinder Assembly	F, S, H
	<i>Includes screw pack (SRT standard – please specify other)</i>	
	<i>Size 'I' cylinder is adjustable from size 1-5</i>	
4011(2-5)-3071DEL	Cylinder Assembly w/Delay	F, S, H
	<i>Includes screw pack (SRT standard – please specify other)</i>	
	<i>Size 'I' cylinder is adjustable from size 1-5</i>	
4011-3071TEL	Cylinder Assembly w/TEL	F, S, H
	<i>Includes screw pack (SRT standard – please specify other)</i>	

Individual Cylinder Parts

Individual cylinder parts for 4010-3071

4010-159	Arm Screw	F
----------	-----------	---

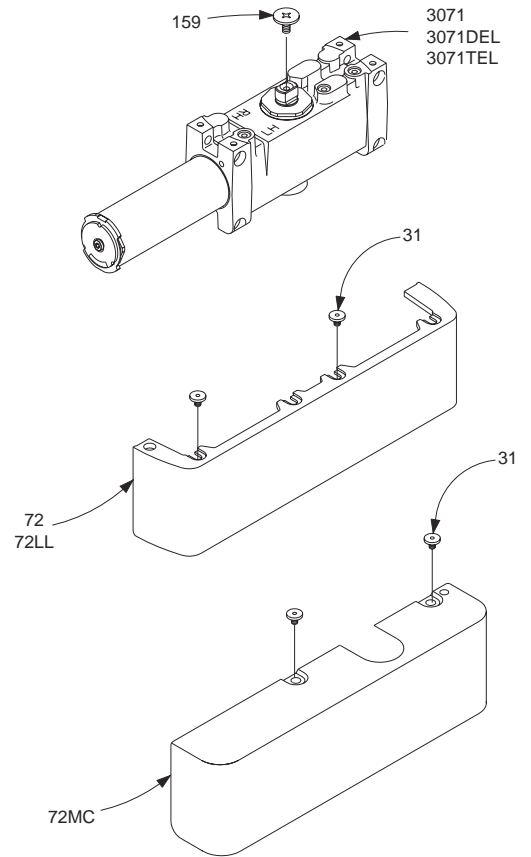
Covers

4010-72	Standard Cover	F
	<i>Includes 4010-31 (2)</i>	
4010-72LL	Lead Lined Cover	F
	<i>Includes 4010-31 (2)</i>	
4010-72MC	Metal Cover	F, H
	<i>Includes 4010-31 (2)</i>	

Individual Cover Parts

Individual cover parts for 4010-72, -72LL, & -72MC

4010-31	Cover Screw	F
---------	-------------	---



Please specify finish (**F**), size (**S**), hand (**H**), & voltage (**V**) where indicated. See the latest edition of the LCN Catalog for part descriptions and specifications on many of the items shown above. List prices for items shown above can be located in the current LCN Price List.