

LCN 4010 SERIES

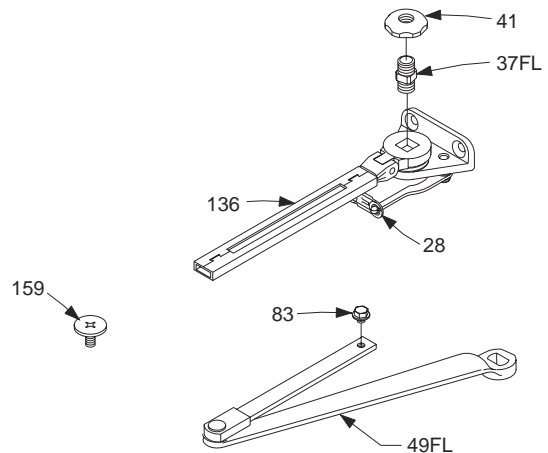
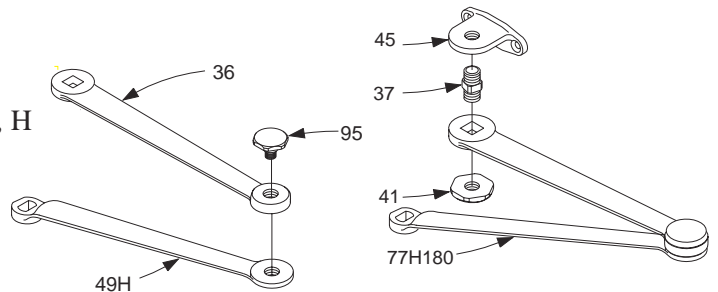
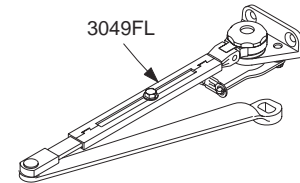
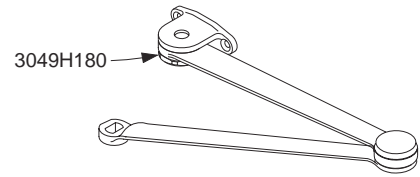
Complete Arm Assemblies

4010-3049H180	180 Hold-Open Arm	F, H
	<i>Includes 4010-37, -41, -45, -77H180, & -159</i>	
	<i>(Requires the use of 4010-11 corner bracket)</i>	
4010-3049FL	Fusible Link Arm	F, H
	<i>Includes 4010-49FL, -83, -136, & -159</i>	

Individual Arm Parts

Individual arm parts for 4010-3049H180 & -3049FL

4010-28	Fusible Link	
	<i>(Release temperature 165° F standard; 135° F optional)</i>	
4010-36	H180 Forearm	F
4010-37	Hold-Open Stud	F, H
4010-37FL	FL Hold-Open Stud	F, H
4010-41	Hold-Open Nut	F
4010-45	Hold-Open Shoe	F, H
4010-49FL	FL Main Arm & Rod	F
	<i>Includes 4010-83 & -159</i>	
4010-49H	180 H Main Arm	F
4010-77H180	Arm Assembly	F
	<i>Includes 4010-159</i>	
4010-83	Arm Screw	F
4010-95	Arm Stud	F
4010-136	FL Forearm	F, H
	<i>Includes 4010-28, -37FL, & -41</i>	
4010-159	Arm Screw	F



Please specify finish (**F**), size (**S**), hand (**H**), & voltage (**V**) where indicated. See the latest edition of the LCN Catalog for part descriptions and specifications on many of the items shown above. List prices for items shown above can be located in the current LCN Price List.