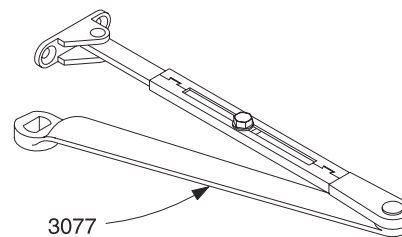


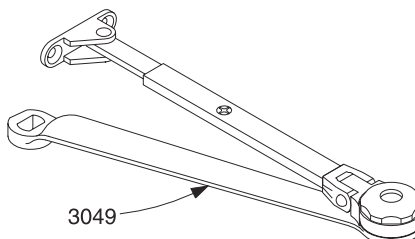
LCN 4010 SERIES

Complete Arm Assemblies

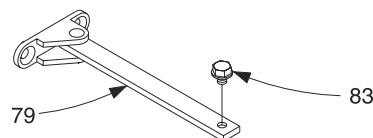
4010-3077	Regular Arm	F
	<i>Includes 4010-77, -79, -83, & -159</i>	
4010-3049	Hold-Open Arm	F, H
	<i>Includes 4010-37, -41, -48, -49, -79H, -83H, & -159</i>	



3077

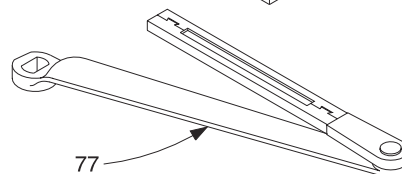


3049



79

83

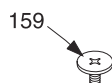


77

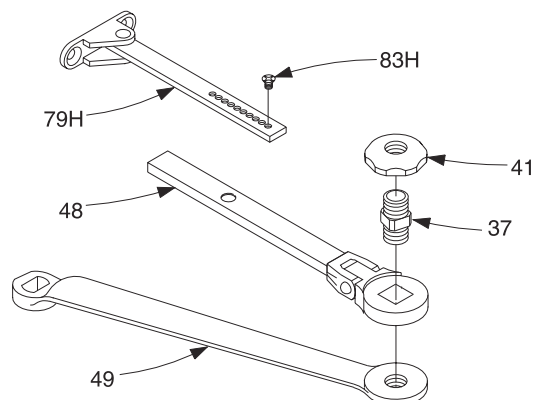
Individual Arm Parts

Individual arm parts for 4010-3077 & -3049

4010-37	Hold-Open Stud	F, H
4010-41	Hold-Open Nut	F
4010-48	Hold-Open Forearm	F
4010-49	Hold-Open Main Arm	F, H
	<i>Includes 4010-159</i>	
4010-77	Main Arm & Forearm	F
	<i>Includes 4010-159</i>	
4010-79	Rod & Shoe	F
	<i>Includes 4010-83</i>	
4010-79H	Hold-Open Rod & Shoe	F
	<i>Includes 4010-83H</i>	
4010-83	Arm Screw	F
4010-83H	H Arm Screw	F
4010-159	Arm Screw	F



159



79H

83H

48

41

37

49

Please specify finish (F), size (S), hand (H), & voltage (V) where indicated. See the latest edition of the LCN Catalog for part descriptions and specifications on many of the items shown above. List prices for items shown above can be located in the current LCN Price List.