

Cylinder Assemblies

2031(2-5)-3071 Cylinder Assembly F, S, H
*Includes cylinder mounting/finish plate & screw pack
(WMS standard – please specify other)
Cylinder assembly is size specific (not adjustable)*

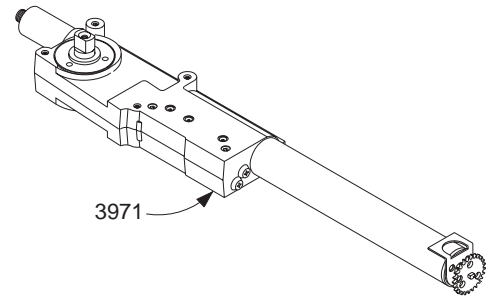
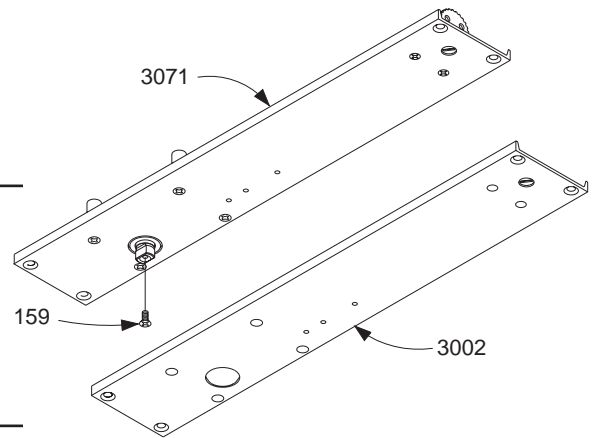
Individual Cylinder Parts

Individual cylinder parts for 2030-3071

2030-159 Arm Screw F
2031(2-5)-3971 Cylinder Only F, S, H
*Does not include mounting/finish plate
Cylinder assembly is size specific (not adjustable)*

Finish Plate

2030-3002 Mounting/Finish Plate F, H



Please specify finish (F), size (S), hand (H), & voltage (V) where indicated. See the latest edition of the LCN Catalog for part descriptions and specifications on many of the items shown above. List prices for items shown above can be located in the current LCN Price List.