

LCN 2030 SERIES "Pacer"

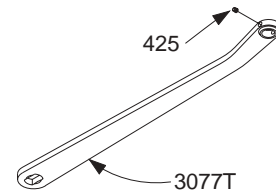
Complete Arm Assemblies

2030-3077T	Standard Arm	F, H
	<i>Includes 2030-159, & -425</i>	

Individual Arm Parts

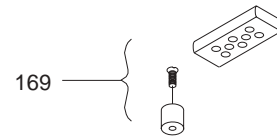
Individual arm parts for 2030-3077T

2030-159	Arm Screw	F
2030-425	Roller Locking Screw	F
2030-3034	Track Roller	



Complete Track Assemblies

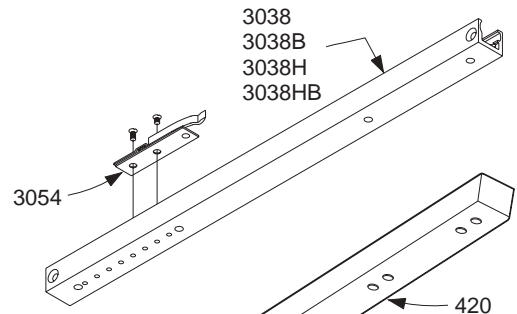
2030-3038	Standard Track	F
2030-3038B	Standard Track w/Bumper	F
	<i>Includes 2030-169</i>	
2030-3038H	Standard Track w/Hold-Open	F
	<i>Includes 2030 -3054</i>	
2030-3038HB	Standard Track w/HO & Bump	F
	<i>Includes 2030 -169, & -3054</i>	



Individual Track Parts

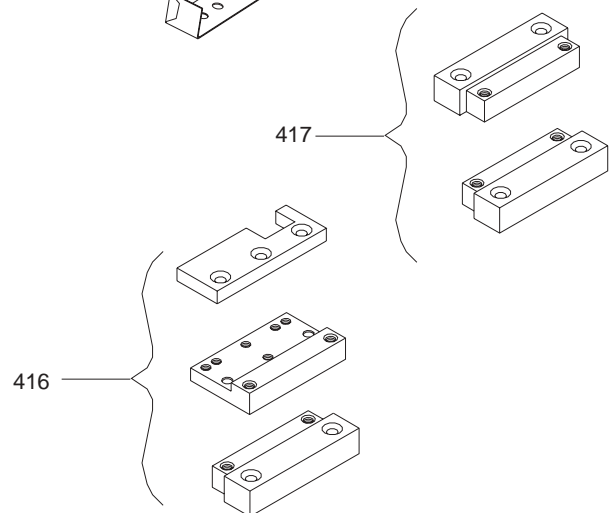
Individual track parts for 2030-3038, -3038B, 3038H, & -3038HB

2030-169	Bumper Assembly	
	<i>Includes post & mounting screws</i>	
2030-3034	Track Roller	
2030-3054	Hold-Open Spring Clip	
	<i>Includes mounting screws</i>	



Installation Accessories

2030-416	Wood Mounting Clip Set	F
	<i>Mounts center pivoted 2030 Series closer in wood frames.</i>	
2030-417	Wood Mounting Clip Set	F
	<i>Mounts offset pivoted 2030 Series closer in wood frames</i>	
2030-420	Fire Shield	



Please specify finish (F), size (S), hand (H), & voltage (V) where indicated. See the latest edition of the LCN Catalog for part descriptions and specifications on many of the items shown above. List prices for items shown above can be located in the current LCN Price List.