

Cylinder Assemblies

2011(3-6)-3071	Cylinder Assembly	F, S, H
	<i>Includes cylinder mounting/finish plate & screw pack</i>	
	<i>(WMS standard – please specify other)</i>	
	<i>Cylinder assembly is size specific (not adjustable)</i>	

Individual Cylinder Parts

Individual cylinder parts for 2010-3071

2010-159	Arm Screw	F
----------	-----------	---

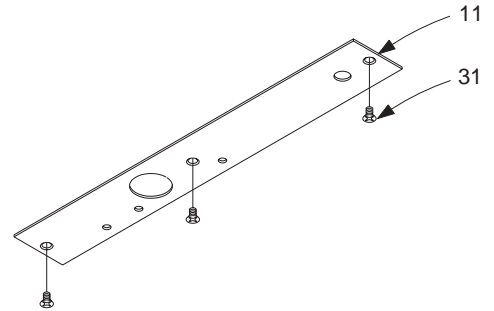
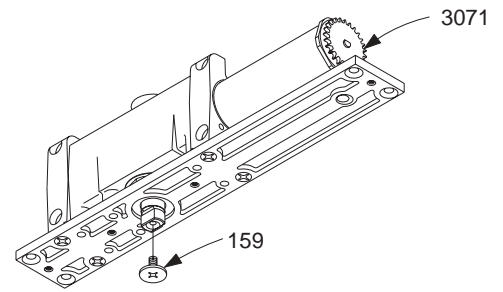
Finish Plate

2010-11	Finish Plate	F, S, H
	<i>Includes 2010-31 (3)</i>	

Individual Finish Plate Parts

Individual finish plate parts for 2010-11

2010-31	Finish Plate Screw	F
---------	--------------------	---



Please specify finish (**F**), size (**S**), hand (**H**), & voltage (**V**) where indicated. See the latest edition of the LCN Catalog for part descriptions and specifications on many of the items shown above. List prices for items shown above can be located in the current LCN Price List.