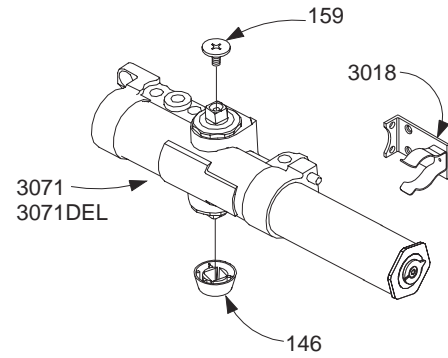


LCN1460 SERIES

Cylinder Assemblies

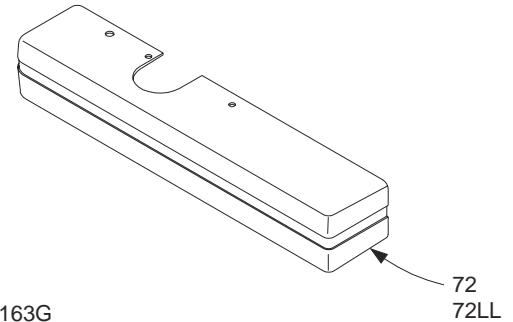
1461-3071	Cylinder Assembly	F
	<i>Includes screw pack (SRT standard – please specify other)</i>	
	<i>Size '1' cylinder is adjustable from size 1-6</i>	
1461-3071DEL	Cylinder Assembly w/Delay	F
	<i>Includes screw pack (SRT standard – please specify other)</i>	
	<i>Size '1' cylinder is adjustable from size 1-6</i>	



Individual Cylinder Parts

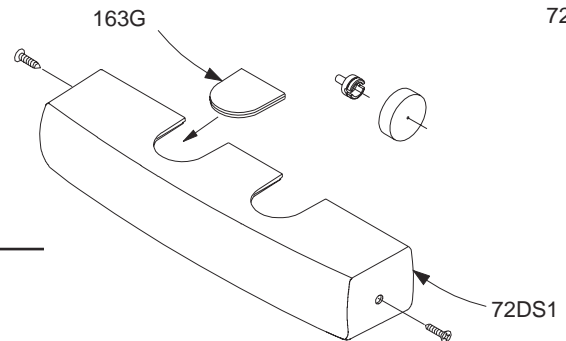
Individual cylinder parts for 1461-3071, & -3071DEL

1460-146	Shaft Cover	F
1460-159	Arm Screw	F
1460-3018	Mounting Bracket	



Covers

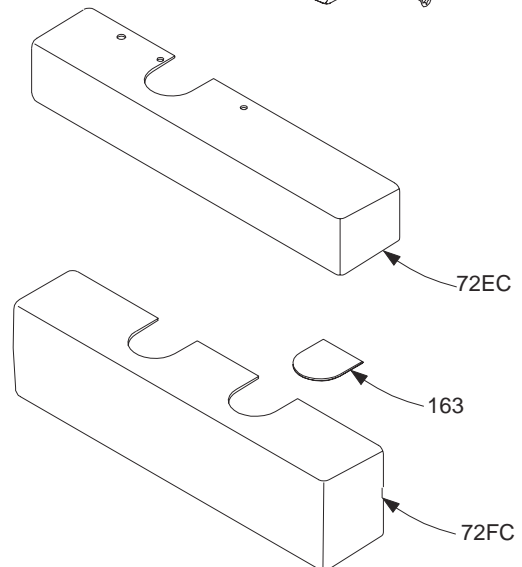
1460-72	Slim Line Cover	F
1460-72DS1	Designer Series Metal Cover	F
	<i>Includes 1460-163G</i>	
1460-72EC	Smooth Slim Line Cover	F
1460-72FC	Full Cover	F
	<i>Includes 1460-163</i>	
1460-72LL	Lead Lined Cover	F
	<i>Includes 1460-163</i>	



Individual Cover Parts

Individual cover parts for 1460-72DS1 & 1460-72FC

1460-163	Arm Insert	F
1460-163G	Arm Insert (DS1)	F



Please specify finish (**F**), size (**S**), hand (**H**), & voltage (**V**) where indicated. See the latest edition of the LCN Catalog for part descriptions and specifications on many of the items shown above. List prices for items shown above can be located in the current LCN Price List.