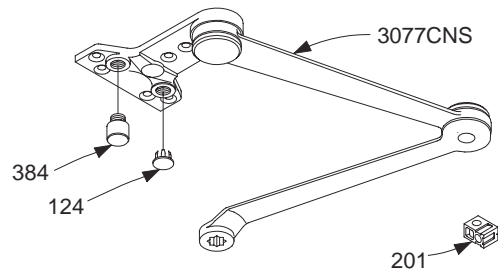


LCN1460 SERIES

Complete Arm Assemblies

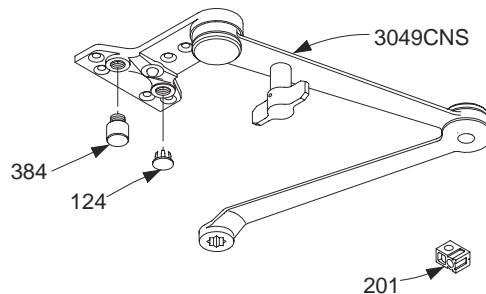
1460-3077CNS	Cush-n-Stop Arm	F
	<i>Includes 1460-124, -159, -201, & -384</i>	
1460-3049CNS	Hold-Open Cush-n-Stop Arm	F
	<i>Includes 1460-124, -159, -201, & -384</i>	



Individual Arm Parts

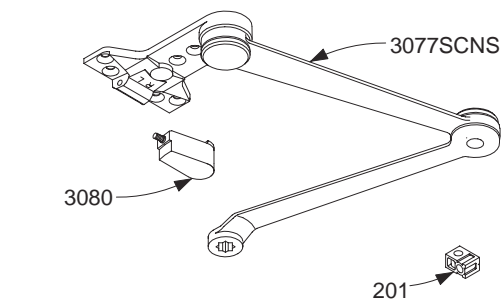
Individual arm parts for 1460-3077CNS & -3049CNS

1460-124	Plug	F
1460-159	Arm Screw	F
1460-201	Spacer	
1460-384	Stop	F



Complete Arm Assemblies

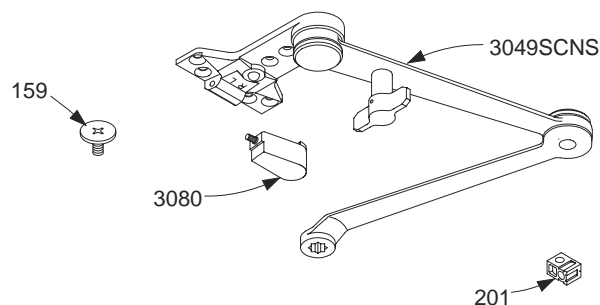
1460-3077SCNS	Spring Cush-n-Stop Arm	F
	<i>Includes 1460-159, -201, & -3080</i>	
1460-3049SCNS	HO Spring Cush-n-Stop Arm	F
	<i>Includes 1460-159, -201, & -3080</i>	



Individual Arm Parts

Individual arm parts for 1460-3077SCNS, & -3049SCNS

1460-159	Arm Screw	F
1460-201	Fifth Screw Spacer	
1460-3080	Spring Cush Block	F



Please specify finish (**F**), size (**S**), hand (**H**), & voltage (**V**) where indicated. See the latest edition of the LCN Catalog for part descriptions and specifications on many of the items shown above. List prices for items shown above can be located in the current LCN Price List.