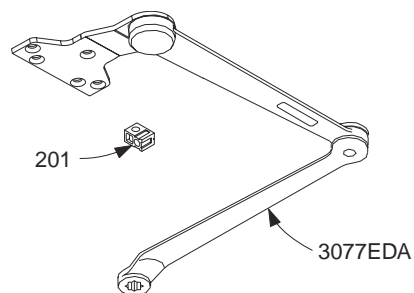


# LCN1460 SERIES

## Complete Arm Assemblies

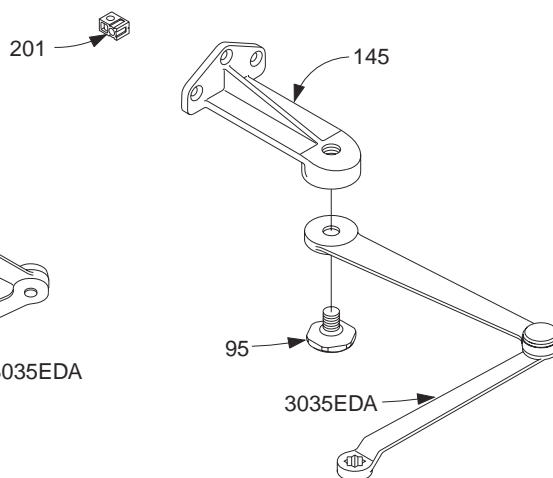
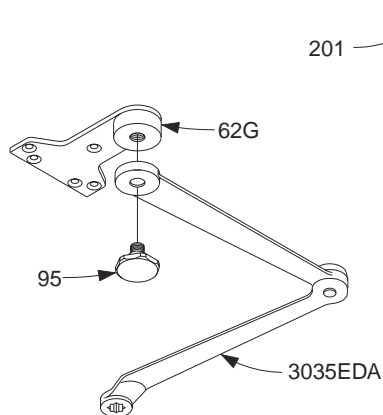
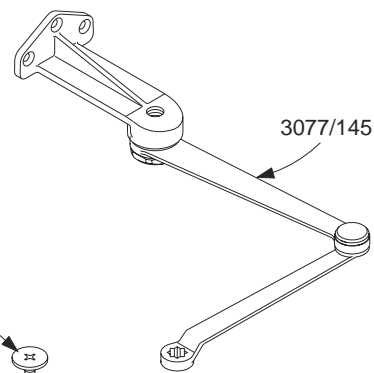
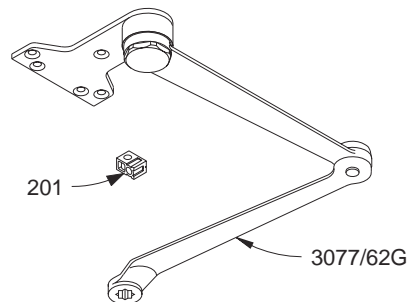
1460-3077EDA	Extra Duty Arm	F
	<i>Includes 1460-159 &amp; -201</i>	
1460-3077EDA/62G	Extra Duty Arm w/62G	F
	<i>Includes 1460-62G, -95, -159, -201, &amp; -3035EDA</i>	
1460-3077EDA/145	Extra Duty Arm w/145	F
	<i>Includes 1460-95, -145, -159, &amp; -3035EDA</i>	



## Individual Arm Parts

Individual arm parts for 1460-3077EDA, -3077EDA/62G, -3077/145

1460-62G	Thick Hub Shoe	F
	<i>Includes 1460-201</i>	
1460-95	Arm Stud	F
1460-145	Flush Transom Shoe	F
1460-159	Arm Screw	F
1460-201	Fifth Screw Spacer	
1460-3035EDA	EDA Main Arm & Forearm	F
	<i>Includes 1460-159</i>	



Please specify finish (F), size (S), hand (H), & voltage (V) where indicated. See the latest edition of the LCN Catalog for part descriptions and specifications on many of the items shown above. List prices for items shown above can be located in the current LCN Price List.