

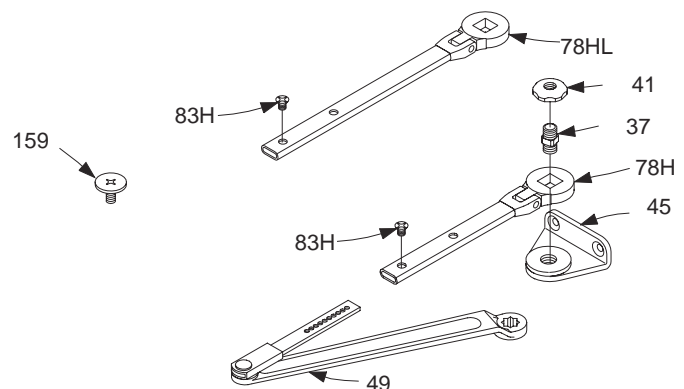
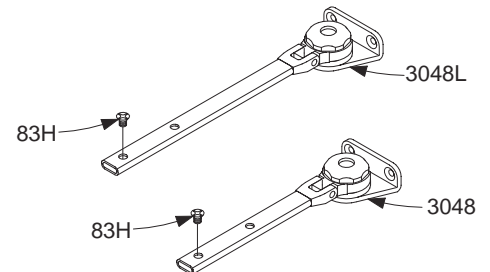
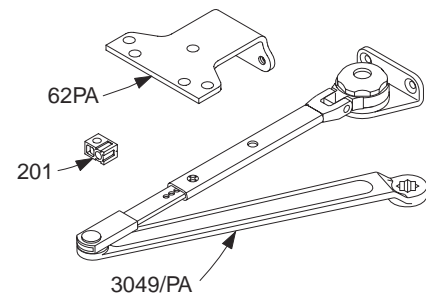
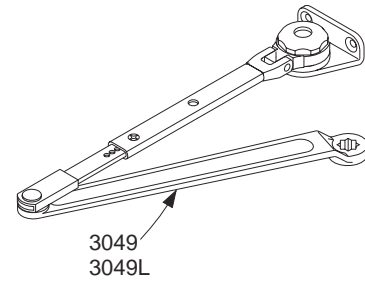
LCN1460 SERIES

Complete Arm Assemblies

1460-3049	Hold-Open Arm	F
	<i>Includes 1460-49, -83H, -159, & -3048</i>	
1460-3049/PA	Hold-Open Arm w/PA	F
	<i>Includes 1460-49, -62PA, -83H, -159, -201, & -3048</i>	
1460-3049L	Hold-Open Long Arm	F
	<i>Includes 1460-49, -83H, -159, & -3048L</i>	

Individual Arm Parts

Individual arm parts for 1460-3049, -3049/PA, & -3049L		
1460-37	Hold-Open Stud	F
1460-41	Hold-Open Nut	F
1460-45	Hold-Open Shoe	F
1460-49	HO Main Arm & Rod	F
	<i>Includes 1460-159</i>	
1460-62PA	Parallel Arm Shoe	F
	<i>Includes 1460-201</i>	
1460-78H	H Head & Tube	F
	<i>Includes 1460-83H</i>	
1460-78HL	Head & Long Tube	F
	<i>Includes 1460-83H</i>	
1460-83H	H Arm Screw	F
1460-159	Arm Screw	F
1460-201	Fifth Screw Spacer	
1460-3048	HO Head & Tube Assembly	F
	<i>Includes 1460-37, -41, -45, -78H, & -83H</i> <i>Length is 5 3/4" (146mm)</i>	
1460-3048L	HO Head & Long Tube Assy	F
	<i>Includes 1460-37, -41, -45, -78HL, & -83H</i> <i>Length is 8 5/8" (219mm)</i>	



Please specify finish (F), size (S), hand (H), & voltage (V) where indicated. See the latest edition of the LCN Catalog for part descriptions and specifications on many of the items shown above. List prices for items shown above can be located in the current LCN Price List.