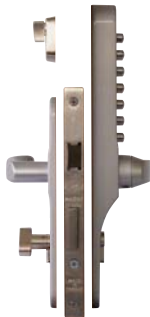


## Optional Features & Benefits

- **Passage function** - Allows free passage from both sides at code users' discretion
- **Key override** - Allows key holder access in all instances without prior knowledge of the user code - assumes standard sash lock operation. Escutcheons are prepared as standard to suit Euro profile cylinders with oval cylinder preparation to special order
- **Rebate kits** - Two part rebate kits are available for rebates @ 12.5mm and 25mm with certain sash lock or night latch choices (refer to the sales office)
- **Extended door kits** - Factory fitted modifications including extended fixings, spindles and free passage turns to suit doors up to 75mm thick
- **Back-to-back** - A factory modification offering bi-directional coded access control



**REL.K700**  
Standard model with sash lock 50mm backset- showing Euro profile cylinder & turn



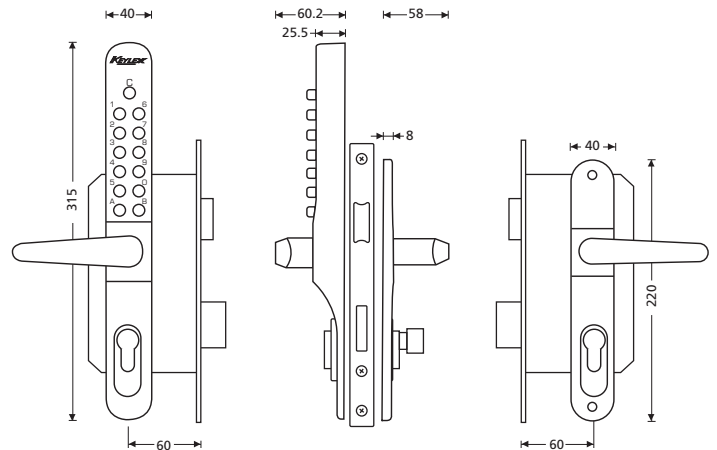
**REL.K700FP**  
Version with passage function & optional narrow stile sash lock case 25/30/35/40/45mm backset - showing Euro profile cylinder & turn



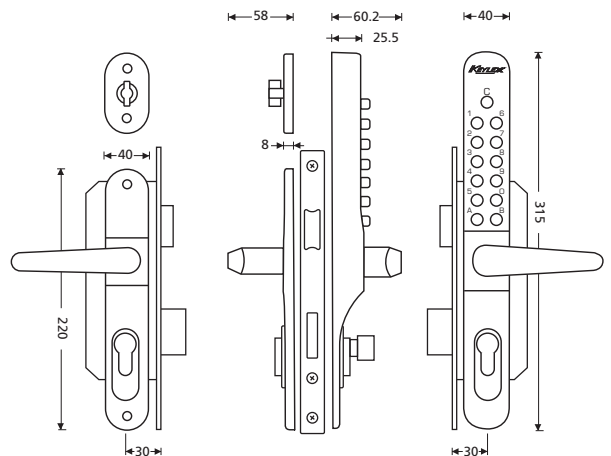
**REL.K700B**  
Back-to-back option with sash lock 50mm backset- showing Euro profile double cylinder

## Critical Dimensions

REL.K700 Model prepared for Sash Lock Case 60mm Backset



REL.K700FP Option with Passage Function\* prepared for Narrow Stile Sash Lock Case 25/30/35/40/45mm Backset



\* Passage function is available for use with any suitable lock case including the version described at the top of this column.

## How to Specify or Order

Part #	Description
REL.K700	Mechanical Digital Lock w. Levers Both Sides (less lock case)
REL.K700FP	Mechanical Digital Lock w. Free Passage & Levers Both Sides (less lock case)
Suffix.70-72	Escutcheon Set for Cylinder Lock Cases w. 70-72mm Centres
Suffix.90-92	Escutcheon Set for Cylinder Lock Cases w. 90-92mm Centres
Suffix.BLANK	Escutcheon Set for Installations Without Cylinders
REL.LOCKCASE.50MM	Euro Profile Cylinder Sash Lock w. 70-72mm Centres. 50mm Backset
REL.LOCKCASE(**MM)	Euro Profile Cylinder Sash Lock w. 92mm Centres. 25/30/35/40/45mm Backset

## Important Note

All **Keylex 700** models are supplied complete with outside lock body, inside lever furniture on back plate and escutcheons (x2) - but less the lock case. Lock cases must be ordered separately.

Cylinders are not supplied unless specifically requested.

### Finishes

- SC** - Silver with Stainless Steel Buttons
- DB** - Dark Bronze with Stainless Steel Buttons
- NP** - Nickel Plate Forend & Strike (all lock cases)