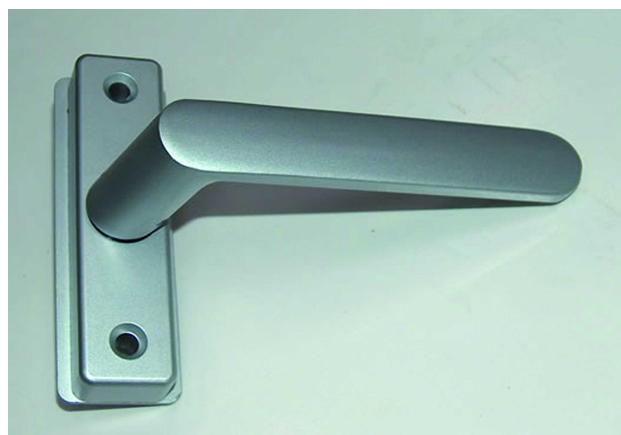


Levers

Lever Handle - 4568

The Adams Rite 4568 lever Handle is for operation of 4700 Series Deadlatches (except 4750) and MS® + 1890 Latch/Deadlock.



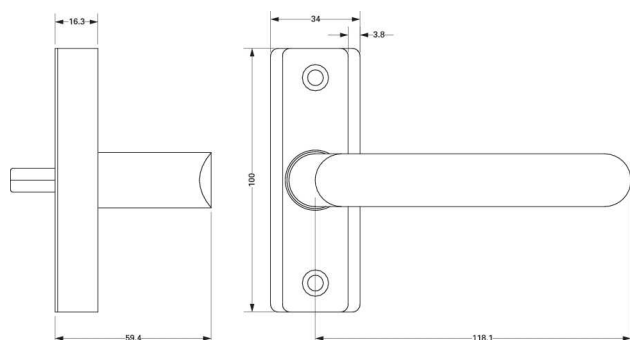
Key Benefits

- Lever is non-handed, downward action retracts latchbolt
- Designed for use on aluminium doors
- When used with MS® +1890 latch/Deadlock, 4580 cam plug is omitted and spindle is extended to 22mm.
- Steel mounting base
- Cam plug supplied for use with 4700 and makes versions handed
- Non designed for use in pull applications
- 3 year guarantee

Related Hardware

4710 Heavy Duty Deadlatch ~ 4720ANSI Deadlatch ~ MS®+1890 Latch/Deadlock

Specification



Escutcheon:	100mm x 34mm. Steel mounting base.
Material:	Cast aluminium.
Spindle:	6.35mm (1/4") on the diamond, heat treated. Interlocks with cam plug. Standard spindle lengths to suit 44.45mm (1 3/4") door thickness.
Finishes:	628 Satin Aluminium, 335 Black, 313 Bronze.
Cam Plug:	Rigidly fixed to handle escutcheon by hardened steel pins. Handing reversible.

Ordering Information

4568-011-130	LEVER HANDLE SILVER RITECOAT FINISH
4568-012-130	LEVER HANDLE SILVER RITECOAT FINISH
4568-501-130	LEVER HANDLE LH C/W CAM PLUG SILVER RITECOAT FINISH FOR USE WITH 4700
4568-503-130	LEVER HANDLE L/H TO SUIT DOOR 64-70MM C/W CAM PLUG SILVER
4568-601-130	LEVER HANDLE RH C/W CAM PLUG SILVER RITECOAT FINISH FOR USE WITH 4700
4568-603-130	LEVER HANDLE R/H TO SUIT DOOR 64-70MM C/W CAM PLUG SILVER

Cam Plug

4580-5	CAM PLUG REVERSIBLE LH 46-54MM DOOR
4580-6	CAM PLUG REVERSIBLE RH 46-54MM DOOR